

# CROSSTOWN TREATMENT PLANT RAW WATER FLOW MODIFICATIONS

FOR

## FAYETTE COUNTY WATER SYSTEM

TONY V. PARROTT, DIRECTOR

AUTHORIZED BY:

FAYETTE COUNTY BOARD OF COMMISSIONERS

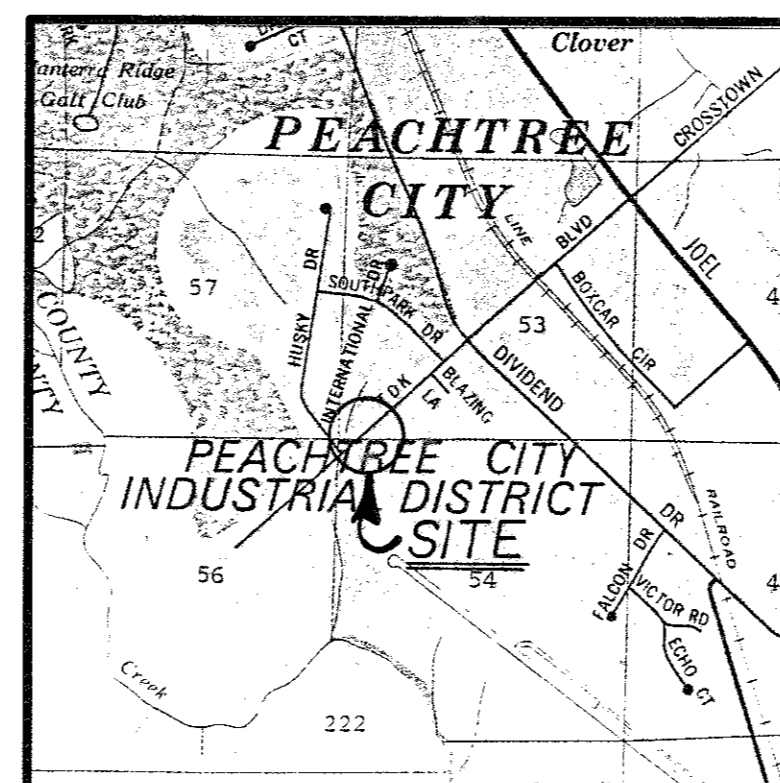
HAROLD BOST, CHAIRMAN

GREG DUNN, VICE-CHAIRMAN

HERB FRADY

GLEN GOSA

LINDA WELLS



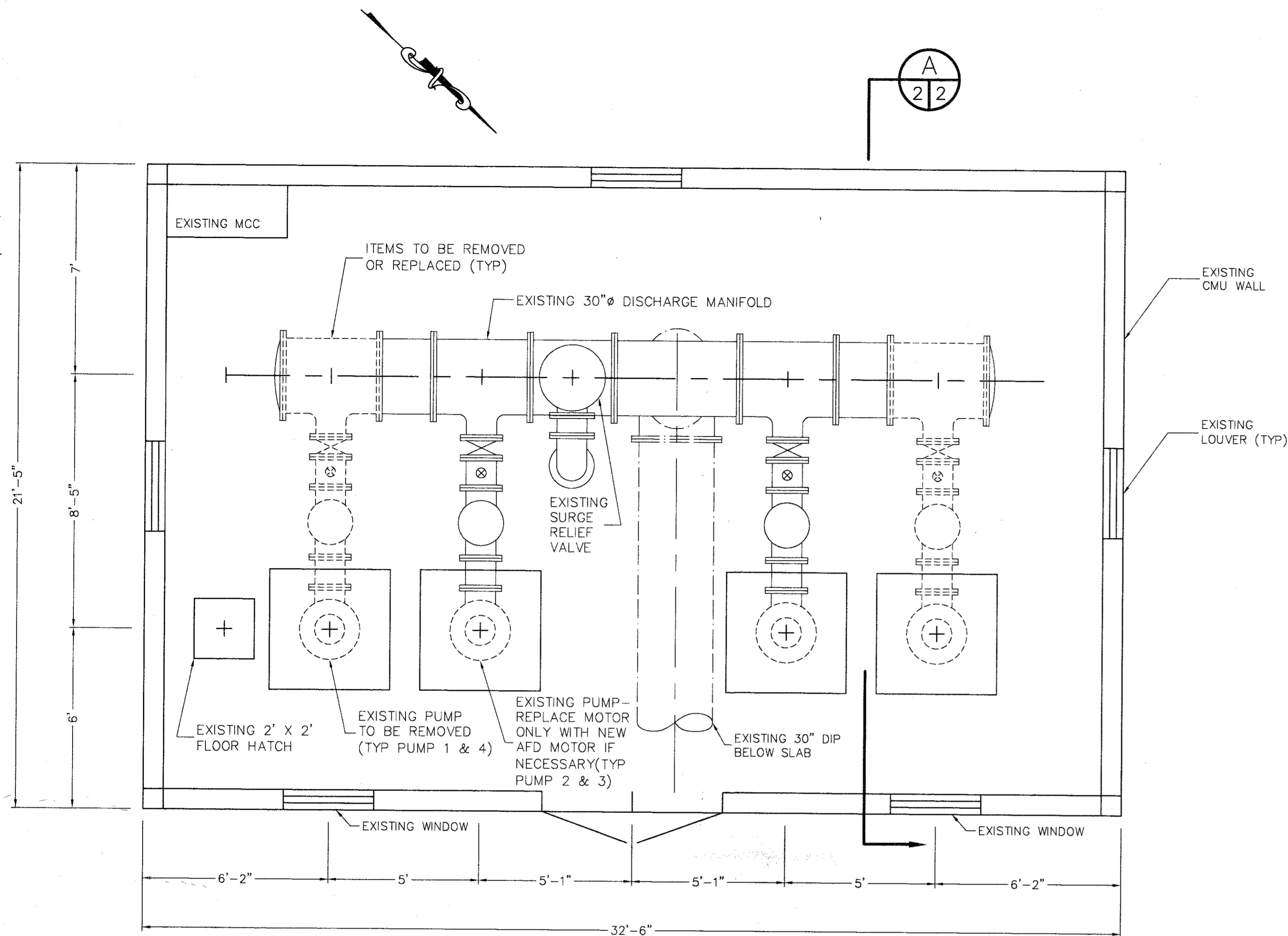
LOCATION MAP

**Mallett & Associates, Inc.**  
115-B BRADFORD SQUARE FAYETTEVILLE, GEORGIA 30215  
PHONE: 770-719-3333  
FAX: 770-719-3377

CROSSTOWN TREATMENT PLANT  
RAW WATER FLOW MODIFICATIONS  
for FAYETTE COUNTY WATER SYSTEM

COVER SHEET

REV. No.	DATE	DESCRIPTION	BY	APP'D	LAND LOT - 53 & 54	DESIGN PES	SCALE NTS
					DISTRICT - 6TH	DRAWN PES	DATE 11/2/99
					SECTION - XXX	CHECK DWJ	FILE NO. 99127
					CITY - PEACHTREE CITY	APPROVED JEM	SHEET NO. 1 of 8
					COUNTY - FAYETTE		
					STATE - GEORGIA		



PLAN VIEW - EXISTING RAW WATER PUMP STATION

3/8" = 1'-0"

NOTES:

CONTRACTOR SHALL FIELD VERIFY ALL DIMENSIONS AND ELEVATIONS PRIOR TO ORDERING EQUIPMENT AND MATERIALS.

CONTRACTOR SHALL ADJUST HEIGHT OF EXISTING CONCRETE PUMP PAD AS REQUIRED TO ALIGN PROPOSED PUMP DISCHARGE FLANGE, CHECK VALVE AND PIPING WITH NEW 16" ISOLATION VALVE AND 30" X 16" TEE.

ALL PIPE & FLANGES SHALL BE DUCTILE IRON, CLASS 53, 125 LB. STD.

ALL NEW AND EXISTING PIPING, VALVES & EQUIPMENT SHALL BE PAINTED PER CONTRACT SPECIFICATIONS. COLOR SHALL MATCH EXISTING PIPING, VALVES & EQUIPMENT.

CONTRACTOR SHALL NOT OPERATE OR ADJUST EXISTING PUMPS, VALVES OR OTHER EQUIPMENT WITHOUT PRIOR AUTHORIZATION FROM WATER TREATMENT PLANT OPERATORS.

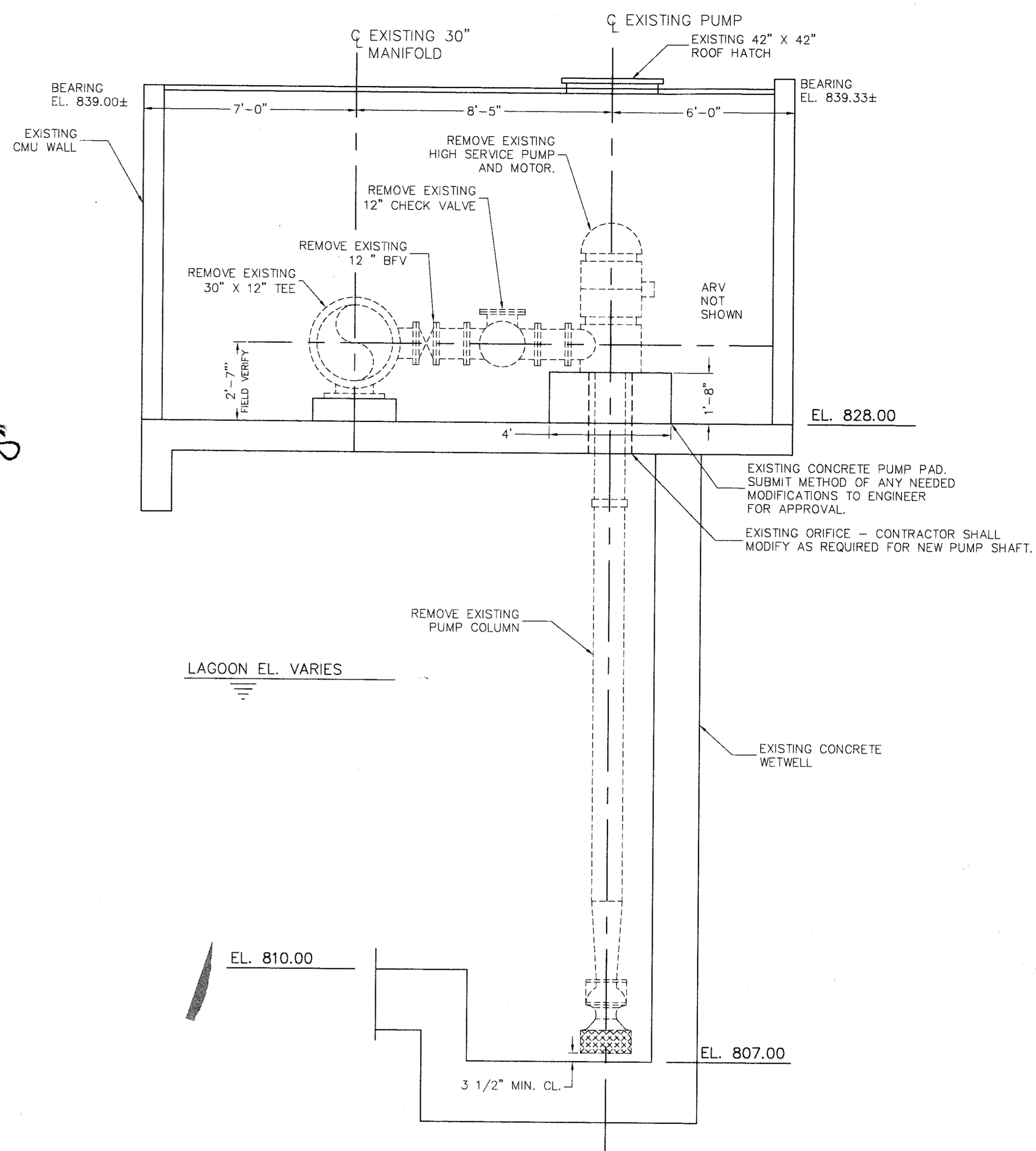
EXISTING PIPING, VALVES, PUMPS, MOTORS, AND ALL MISC. EQUIPMENT SHOWN TO BE REMOVED SHALL REMAIN THE PROPERTY OF THE OWNER. CONTRACTOR SHALL TRANSPORT AND STORE AT OWNER'S STORAGE FACILITY LOCATED APPROXIMATELY 5 MILES FROM JOB SITE.

CONTRACTOR SHALL SEQUENCE PUMP REMOVAL AND INSTALLATION AS FOLLOWS:

1. REPLACE PUMP #1 WHILE MAINTAINING OWNER'S ABILITY TO OPERATE EXISTING PUMPS #2, #3 AND #4.
2. REPLACE PUMP #4 WHILE MAINTAINING OWNER'S ABILITY TO OPERATE NEW PUMP #1 AND PUMPS #2 AND #3.
3. IF NECESSARY, REPLACE MOTORS FOR PUMPS #2 AND #3 WHILE MAINTAINING OWNER'S ABILITY TO OPERATE NEW PUMPS #1 AND #4.

(PERIODS REQUIRING COMPLETE SHUTDOWN OF PUMP STATION SHALL BE KEPT TO A MINIMUM AND SHALL BE COORDINATED WITH THE OWNER)

FOR PURPOSES OF ADDITIVE ALTERNATE NO. 1, SUBSTANTIAL COMPLETION SHALL BE WHEN ONE OF THE NEW 10 MGD PUMPS IS IN OPERATION AND THE OWNER MAY OPERATE THE PUMP STATION CONTINUOUSLY WITH THE NEW PUMP, EXCEPT FOR POSSIBLE MINOR PERIODS OF DOWN TIME FOR FINAL TIE - INS, ELECTRICAL CONNECTIONS, ETC.



SECTION (TYP PUMP 1 & 4)

3/8" = 1'-0"

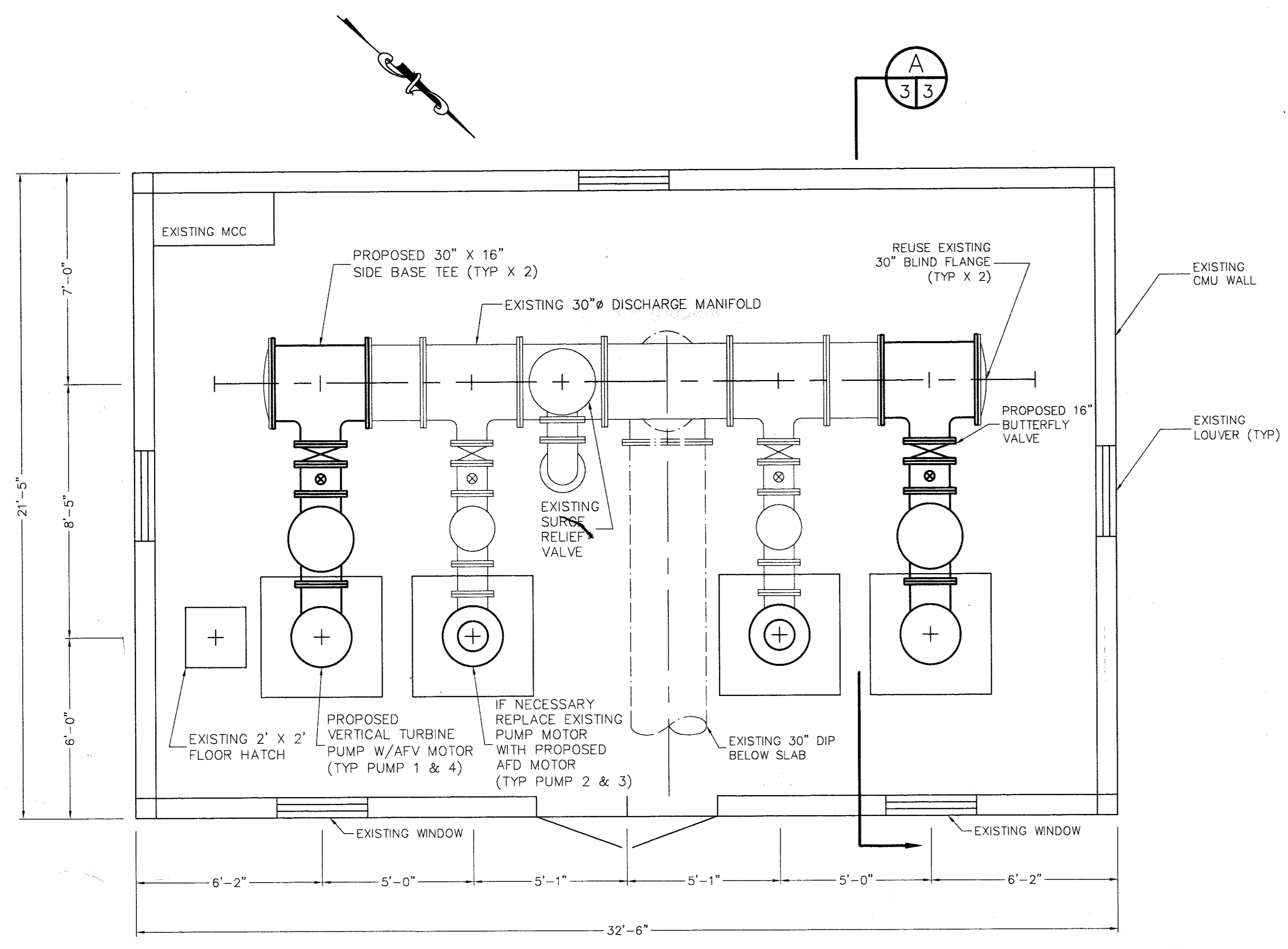


**Mallett & Associates, Inc.**  
 115-B BRADFORD SQUARE FAYETTEVILLE, GEORGIA 30215  
 PHONE: 770-719-3333  
 FAX: 770-719-3377

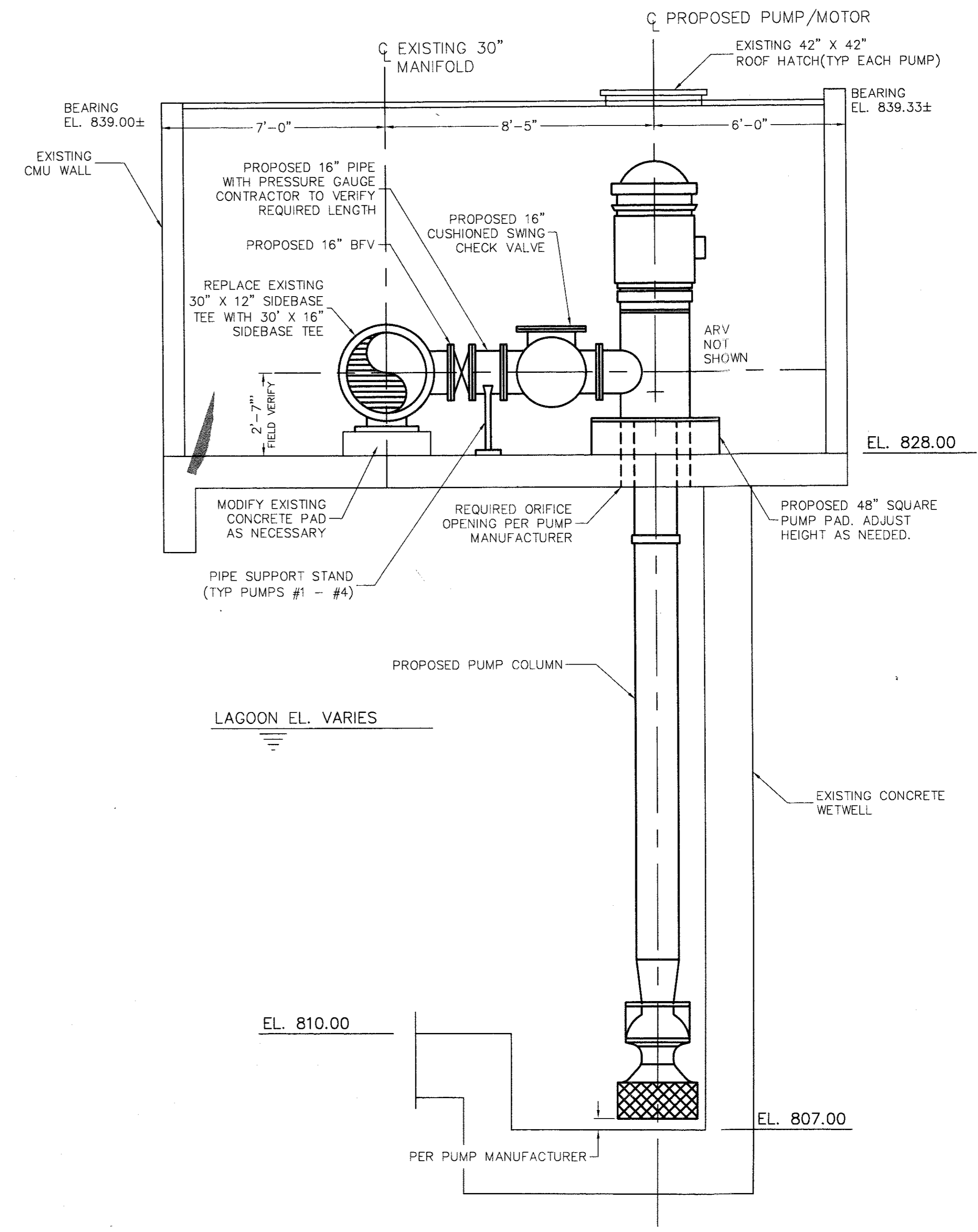
CROSTOWN TREATMENT PLANT  
 RAW WATER FLOW MODIFICATIONS  
 for FAYETTE COUNTY WATER SYSTEM

DEMOLITION PLAN

REV. No.	DATE	DESCRIPTION	BY	APP'D	LAND LOT - 53 & 54	DESIGN PES	SCALE 3/8" = 1'-0"
					DISTRICT - 6TH	DRAWN PES	DATE 11/2/99
					SECTION - XXX	CHECK DWJ	FILE NO. 99127
					CITY - PEACHTREE CITY	APPROVED JEM	SHEET NO. 2 of 8
					COUNTY - FAYETTE		
					STATE - GEORGIA		



PLAN VIEW - PROPOSED MODIFICATIONS TO  
RAW WATER PUMP STATION  
3/8" = 1'-0"



SECTION (TYP PUMP 1 & 4)  
3/8" = 1'-0"



**Mallett & Associates, Inc.**  
115-B BRADFORD SQUARE, FAYETTEVILLE, GEORGIA 30215  
PHONE: 770-719-3333  
FAX: 770-719-3377

CROSSTOWN TREATMENT PLANT  
RAW WATER FLOW MODIFICATIONS  
for FAYETTE COUNTY WATER SYSTEM

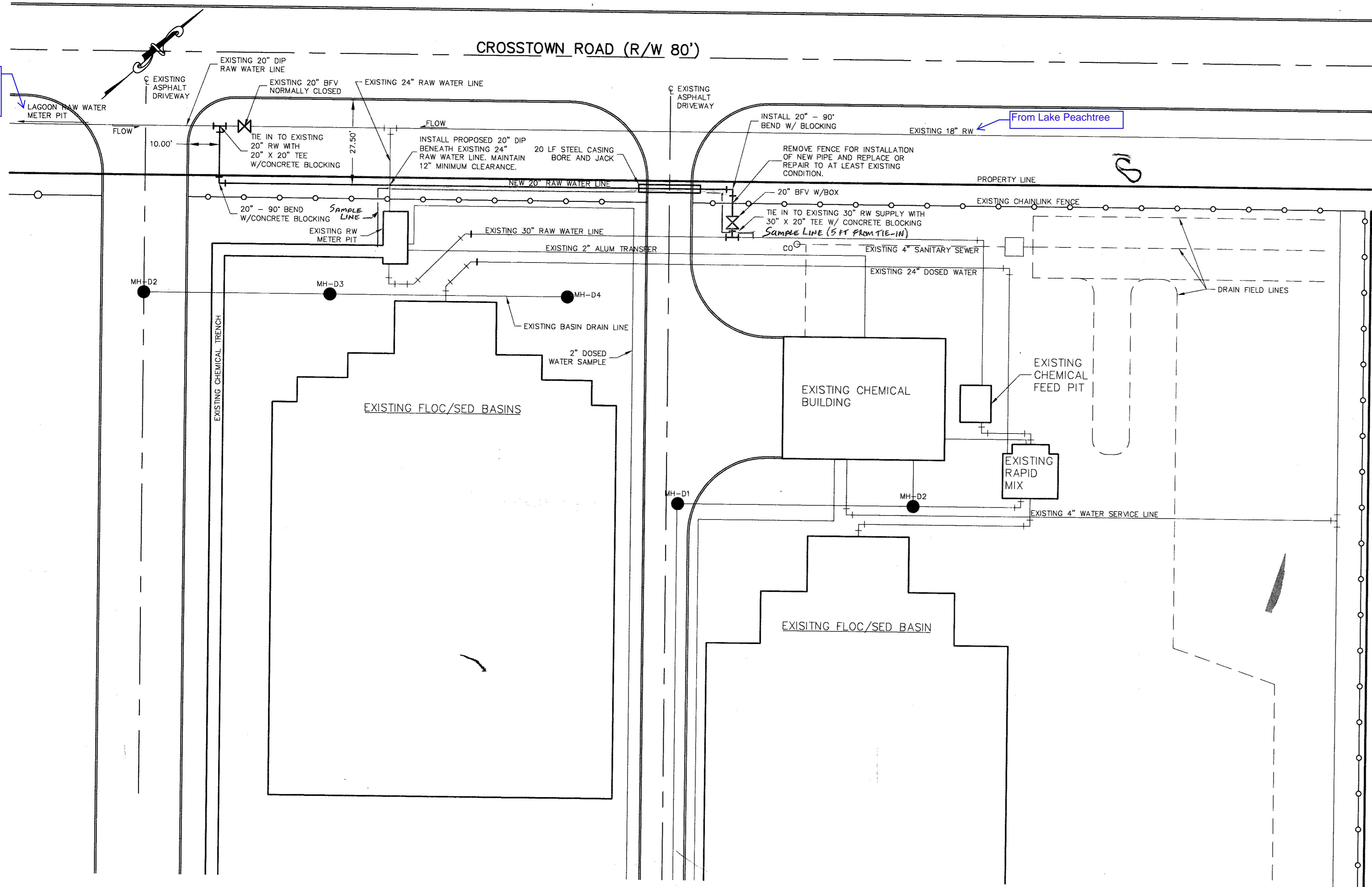
PROPOSED RAW WATER PUMPS

REV. No.	DATE	DESCRIPTION	BY	APP'D	LAND LOT - 53 & 54	DESIGN	PES	SCALE	3/8" = 1'-0"
					DISTRICT - 6TH	DRAWN	PES	DATE	11/2/99
					SECTION - XXX	CHECK	DWJ	FILE NO.	99127
					CITY - PEACHTREE CITY	APPROVED	JEM	SHEET NO.	3 of 8
					COUNTY - FAYETTE				
					STATE - GEORGIA				

From Reservoir  
(Lake McIntosh &  
Starr's Mill/Lake  
Horton)

From Lake Peachtree

CROSTOWN ROAD (R/W 80')



GENERAL NOTES - WATER LINE INSTALLATION

- ALL CONSTRUCTION TO BE IN ACCORDANCE WITH GEORGIA DEPARTMENT OF TRANSPORTATION AND FAYETTE COUNTY STANDARDS, SPECIFICATIONS, AND REGULATIONS (PER GEORGIA DEPARTMENT OF TRANSPORTATION JURISDICTION).
- ANY EXISTING UTILITIES SHOWN ARE APPROXIMATE AND DO NOT NECESSARILY REPRESENT ALL EXISTING UTILITIES. CONTRACTOR TO VERIFY LOCATION OF ALL EXISTING UTILITIES PRIOR TO BEGINNING CONSTRUCTION. ANY DAMAGED UTILITIES SHALL BE REPAIRED AT NO ADDITIONAL COST TO FAYETTE COUNTY WATER SYSTEM. NO COMPENSATION WILL BE MADE FOR DELAYS DUE TO EXISTING UTILITIES.
- ALL TIE-INS TO BE COORDINATED WITH FAYETTE COUNTY WATER SYSTEM. SCHEDULING FOR TIE-INS TO BE DETERMINED BY FAYETTE COUNTY WATER SYSTEM. CONTACT MR. TONY PARROTT AT 770-461-1146 FOR SCHEDULING.
- ALL EXISTING VALVES TO BE OPENED AND CLOSED BY FAYETTE COUNTY WATER SYSTEM EMPLOYEES ONLY.
- ALL WATER LINES TO BE MINIMUM PRESSURE CLASS 300 CEMENT MORTAR LINED, PUSH-ON JOINT, DUCTILE IRON PIPE PER ANSI C151/A21.51. ALL FITTINGS SHALL BE MECHANICAL JOINT DUCTILE IRON.
- CONTRACTOR IS ADVISED TO VISIT THE PROPOSED WATER ROUTE IN ORDER TO FAMILIARIZE HIMSELF WITH FIELD CONDITIONS, UTILITY LOCATIONS, AND AREAS OF POSSIBLE ROCK EXCAVATION.
- THE WATER LINE CONTRACTOR SHALL CONFORM TO ALL APPLICABLE GEORGIA DEPARTMENT OF TRANSPORTATION AND FAYETTE COUNTY SEDIMENT AND EROSION CONTROL MEASURES IN THE PERFORMANCE OF THE INDICATED WORK.
- EROSION CONTROL WILL BE STRICTLY ENFORCED THROUGHOUT THE WORK. CONTRACTOR SHALL SUPPLY AND INSTALL SILTING FENCING, HAY BALES, MULCH MATS, SLOPE STABILIZATION FABRIC, RIP RAP, TEMPORARY AND PERMANENT GRASSING AS REQUIRED TO PREVENT EROSION UNTIL PERMANENT GRASSING HAS BEEN FULLY ESTABLISHED. ALL EROSION CONTROL MEASURES SHALL BE MAINTAINED, REINSTALLED OR RESEEDED AS DIRECTED BY THE ENGINEER. COST FOR EROSION CONTROL REQUIREMENTS SHALL BE INCLUDED IN THE UNIT PRICE BID FOR SIZE AND CLASS OF PIPE.
- TIE-INS TO EXISTING WATER LINES SHALL BE DONE AS SHOWN ON THE DRAWINGS. ANY ADDITIONAL FITTINGS, SLEEVES, CONCRETE BLOCKING AND/OR RESTRAINING DEVICES REQUIRED FOR THESE TIE-INS SHALL BE PROVIDED AND INSTALLED BY THE CONTRACTOR AT NO ADDITIONAL COST. SCHEDULING OF TIE-INS SHALL BE COORDINATED WITH THE OWNER.
- DRIVEWAYS DESIGNATED AS "GRAVEL" WHICH HAVE BEEN PAVED PRIOR TO WATER LINE INSTALLATION SHALL BE FREE-BORED (NO CASING) AT NO ADDITIONAL COST.
- CONTRACTOR SHALL PRESERVE, REPAIR AND/OR REPLACE ALL PROPERTY PINS, SIGNS, DRIVEWAYS, MAILBOXES, CULVERTS, GRASSING, FENCES, LANDSCAPING, SOD, AND MISC. PLANTINGS OR STRUCTURES SUCH THAT THE DISTURBED AREAS ARE RETURNED TO THEIR ORIGINAL CONDITION OR BETTER. THIS SHALL BE DONE AT NO ADDITIONAL COST, UNLESS SPECIFIED IN THE BID SCHEDULE.
- PORTIONS OF THIS PROJECT MAY REQUIRE CLEARING AND GRUBBING. NO ADDITIONAL CONTRACT TIME OR ADDITIONAL PAYMENT WILL BE MADE TO MEET THIS REQUIREMENT. ALL TIMBER, BRUSH AND DEBRIS RESULTING FROM CLEARING SHALL BE REMOVED FROM THE SITE AT NO ADDITIONAL COST TO THE CONTRACTOR.
- NO ADDITIONAL COMPENSATION WILL BE PAID FOR EQUIPMENT, MATERIALS AND LABOR REQUIRED FOR PRESSURE TESTING.
- CONTRACTOR SHALL MAINTAIN ACCESS TO ALL RESIDENTIAL AND COMMERCIAL PROPERTIES THROUGHOUT THE WORK.
- CONTRACTOR SHALL COORDINATE WITH GEORGIA POWER COMPANY AND/OR COWETA-FAYETTE EMC FOR TEMPORARY POWER POLE SUPPORT IN AREAS WHERE GUY WIRES CONFLICT WITH WATER LINE INSTALLATION. THIS WILL BE DONE AT NO ADDITIONAL COST.
- CONTRACTOR WILL COORDINATE WITH GEORGIA POWER COMPANY AND/OR COWETA-FAYETTE EMC FOR SHIELDING OF POWER LINES AND/OR TEMPORARY REMOVAL AND REPLACEMENT OF OVERHEAD LINES OR POLES WHICH MAY CONFLICT WITH PIPE INSTALLATION. THIS SHALL BE DONE AT NO ADDITIONAL COST.
- FINAL GRADING SHALL BE DONE BY LANDSCAPE TRACTOR OR BY SIMILAR EQUIPMENT TO PROVIDE A SMOOTH, UNIFORM SURFACE FREE OF ROCKS, DIRT CLODS, AND OTHER DEBRIS. NO ADDITIONAL PAYMENT WILL BE MADE TO MEET THIS REQUIREMENT.

18. Raw Water Sample Line was tapped five feet after the new holding pond raw water line tie-in. The new sample line connects to the existing sample line in the chemical pipe trench. The small valve outside the existing RW meter pit will shut off the water to the raw water sample spigot.

**Mallett & Associates, Inc.**  
115-B BRADFORD SQUARE FAYETTEVILLE, GEORGIA 30215  
PHONE: 770-719-3333  
FAX: 770-719-3377

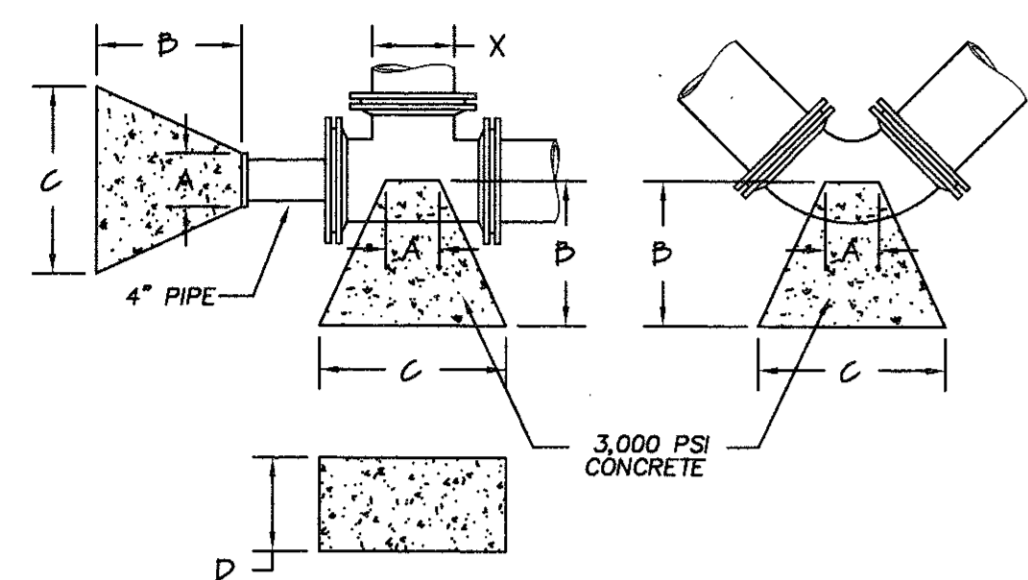
CROSTOWN TREATMENT PLANT  
RAW WATER FLOW MODIFICATIONS  
for FAYETTE COUNTY WATER SYSTEM

MODIFICATIONS TO YARD PIPING

REV. No.	DATE	DESCRIPTION	BY	APP'D	STATE - GEORGIA	LAND LDT - 53 & 54	DESIGN PES	SCALE 1" = 20'
						DISTRICT - 6TH	DRAWN PES	DATE 11/2/99
						SECTION - XXX	CHECK DWJ	FILE NO. 99127
						CITY - PEACHTREE CITY	APPROVED JEM	SHEET NO. 4 of 8

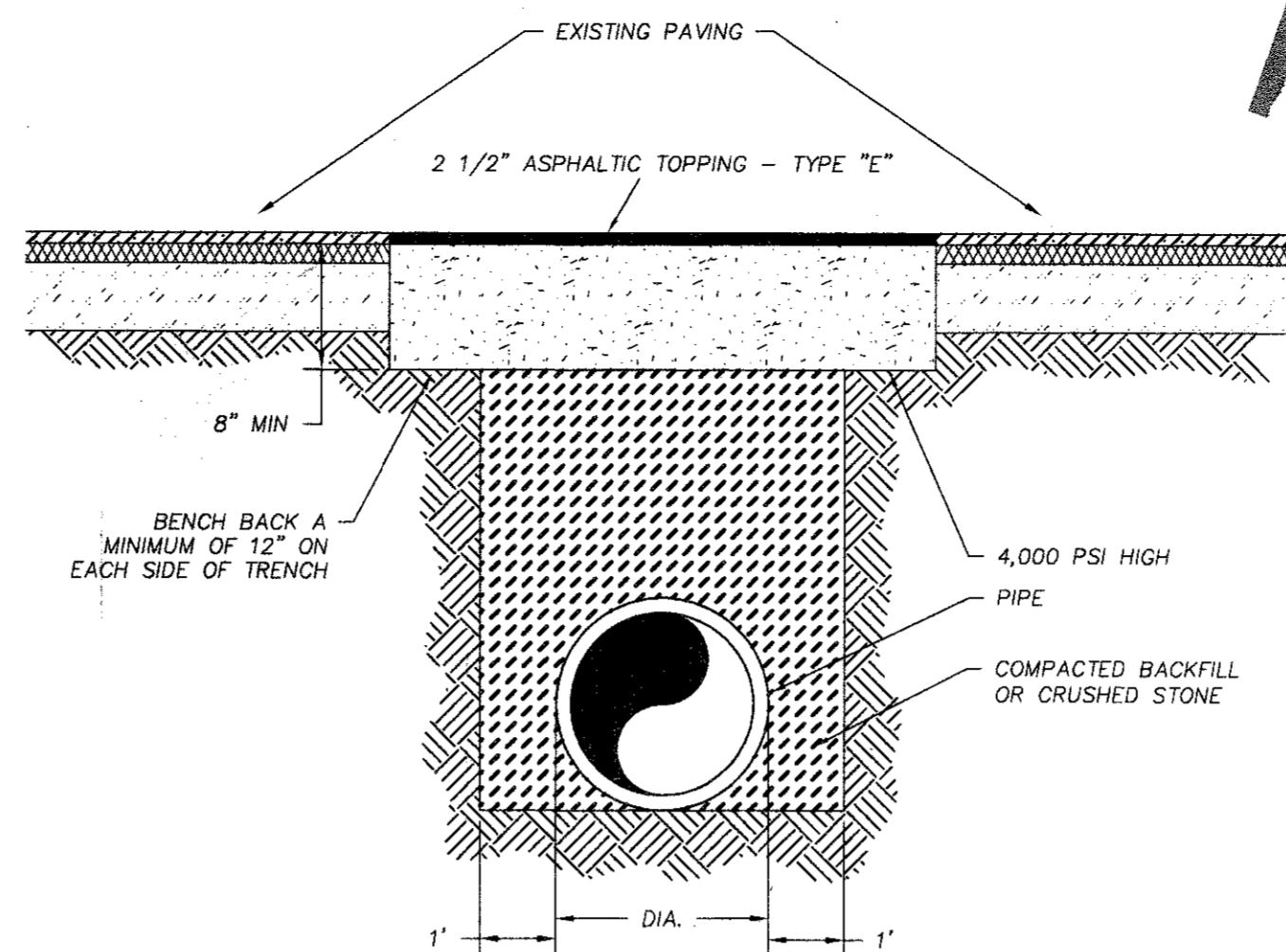


BLOCKING DIMENSIONS																								
X	A	B	C	D	X	A	B	C	D	X	A	B	C	D	X	A	B	C	D					
90° BEND					45° BEND					22 1/2° BEND					11 1/4° BEND					TEES OR PLUGS				
36"	36"	6'-6"	10'-6"	10'-4"	36"	24"	5'-0"	7'-8"	7'-8"	36"	43"	2'-9"	5'-0"	6'-0"	36"	43"	2'-6"	4'-0"	3'-9"	36"	36"	5'-0"	8'-9"	8'-9"
30"	33"	5'-9"	9'-0"	9'-3"	30"	18"	3'-9"	6'-9"	6'-9"	30"	22"	2'-6"	4'-9"	5'-0"	30"	23"	2'-6"	3'-6"	3'-6"	30"	33"	4'-9"	7'-6"	7'-9"
24"	31"	4'-6"	7'-3"	7'-3"	24"	15"	3'-3"	5'-3"	5'-6"	24"	20"	2'-0"	3'-9"	4'-0"	24"	21"	2'-3"	2'-9"	2'-9"	24"	30"	3'-9"	6'-0"	6'-3"
20"	25"	3'-9"	6'-0"	6'-3"	20"	12"	2'-6"	4'-6"	4'-6"	20"	17"	1'-6"	3'-3"	3'-3"	20"	18"	2'-0"	2'-3"	2'-6"	20"	28"	3'-3"	5'-0"	5'-3"
18"	23"	3'-6"	5'-6"	5'-6"	18"	12"	2'-6"	4'-0"	4'-3"	18"	15"	1'-6"	2'-9"	3'-0"	18"	16"	1'-9"	2'-0"	2'-3"	18"	14"	3'-0"	4'-6"	4'-9"
16"	17"	3'-3"	4'-8"	5'-0"	16"	11"	2'-3"	3'-6"	3'-9"	16"	14"	1'-3"	2'-6"	2'-9"	16"	15"	1'-6"	1'-9"	2'-0"	16"	12"	3'-0"	4'-0"	4'-6"
12"	16"	2'-6"	3'-4"	3'-4"	12"	10"	2'-0"	2'-6"	2'-6"	12"	8"	1'-3"	1'-9"	1'-9"	12"	14"	1'-3"	1'-3"	1'-3"	12"	10"	2'-6"	2'-9"	2'-9"
10"	15"	2'-6"	3'-0"	2'-6"	10"	8"	1'-6"	2'-3"	2'-0"	10"	8"	1'-0"	1'-6"	1'-6"	10"	12"	1'-0"	1'-0"	1'-0"	10"	10"	2'-6"	2'-6"	2'-3"
8"	12"	2'-0"	2'-6"	2'-0"	8"	8"	1'-3"	1'-8"	1'-8"	8"	6"	1'-0"	1'-3"	1'-3"	8"	10"	1'-0"	1'-0"	1'-0"	8"	10"	2'-0"	1'-9"	2'-0"
6"	11"	2'-0"	1'-10"	1'-6"	6"	6"	1'-0"	1'-3"	1'-3"	6"	6"	0'-9"	1'-0"	1'-0"	6"	9"	1'-6"	1'-0"	1'-0"	6"	8"	2'-0"	1'-4"	1'-6"

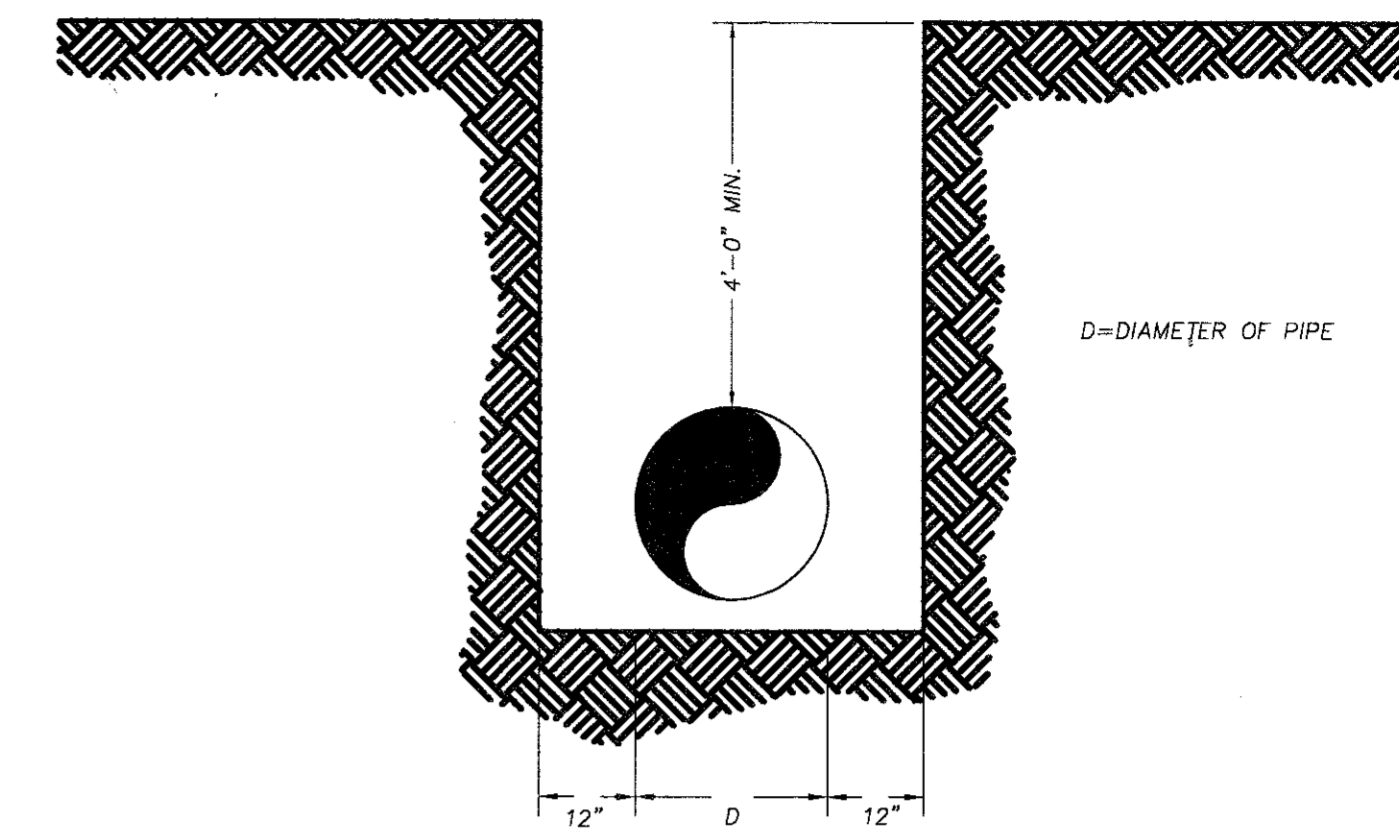


NOTE: THRUST BLOCK SHALL BEAR DIRECTLY AGAINST UNDISTURBED EARTH.

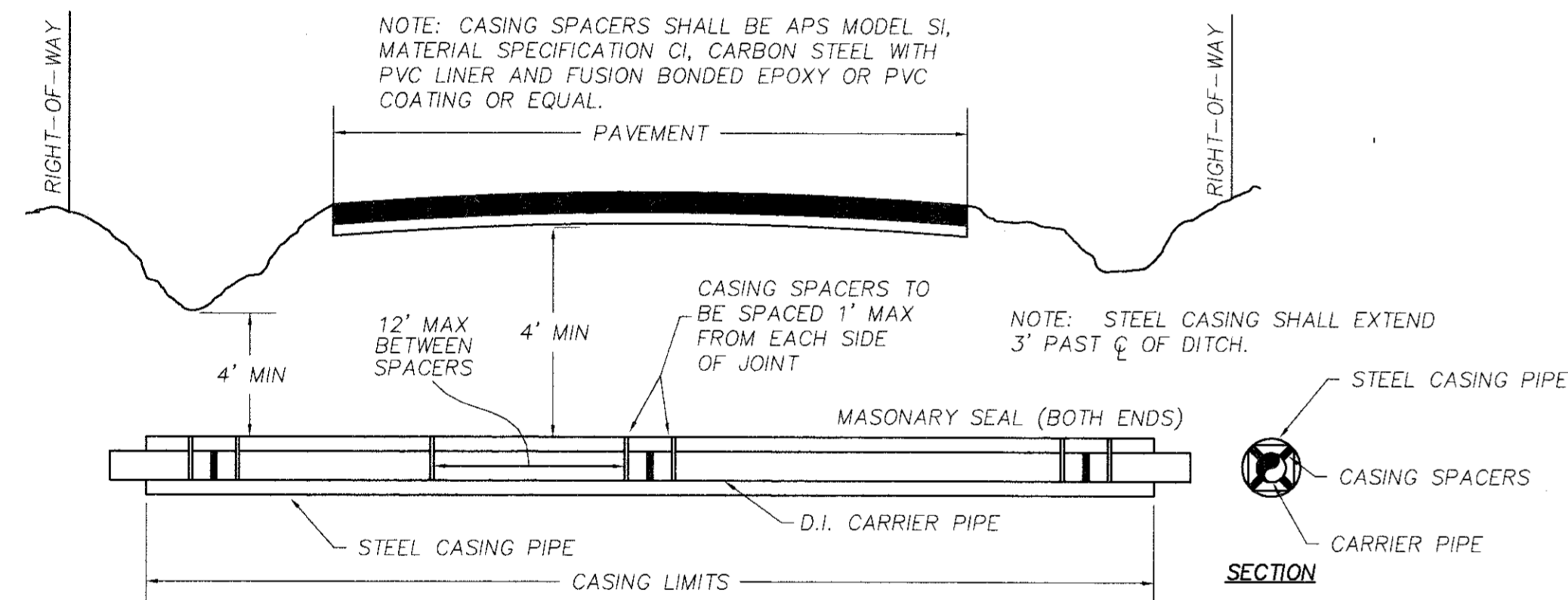
THRUST BLOCKING CHART (NOT TO SCALE)



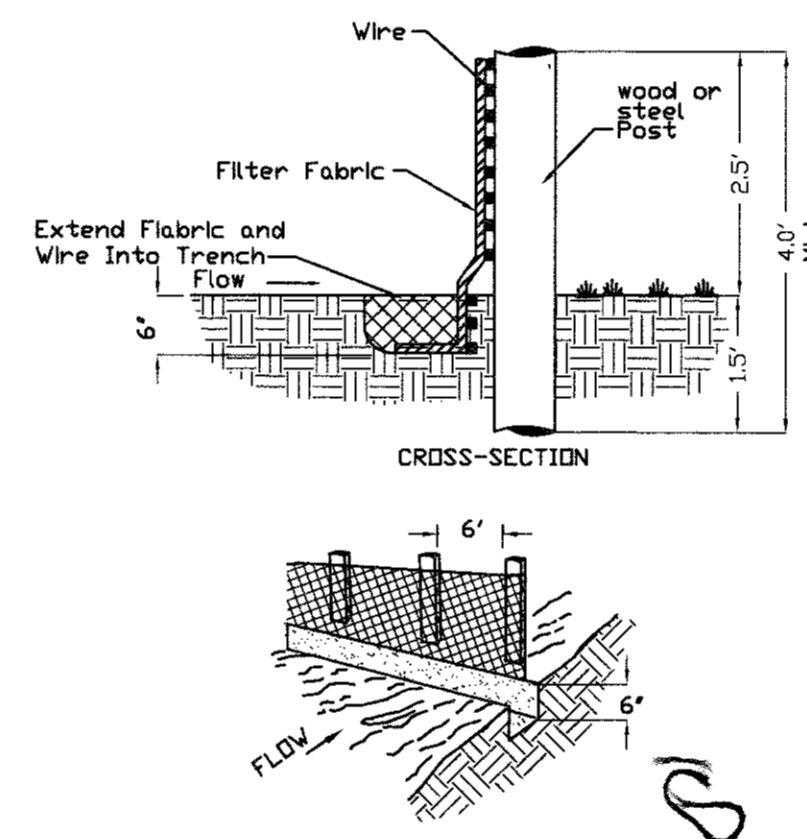
TYPICAL PAVEMENT REPAIR (NOT TO SCALE)



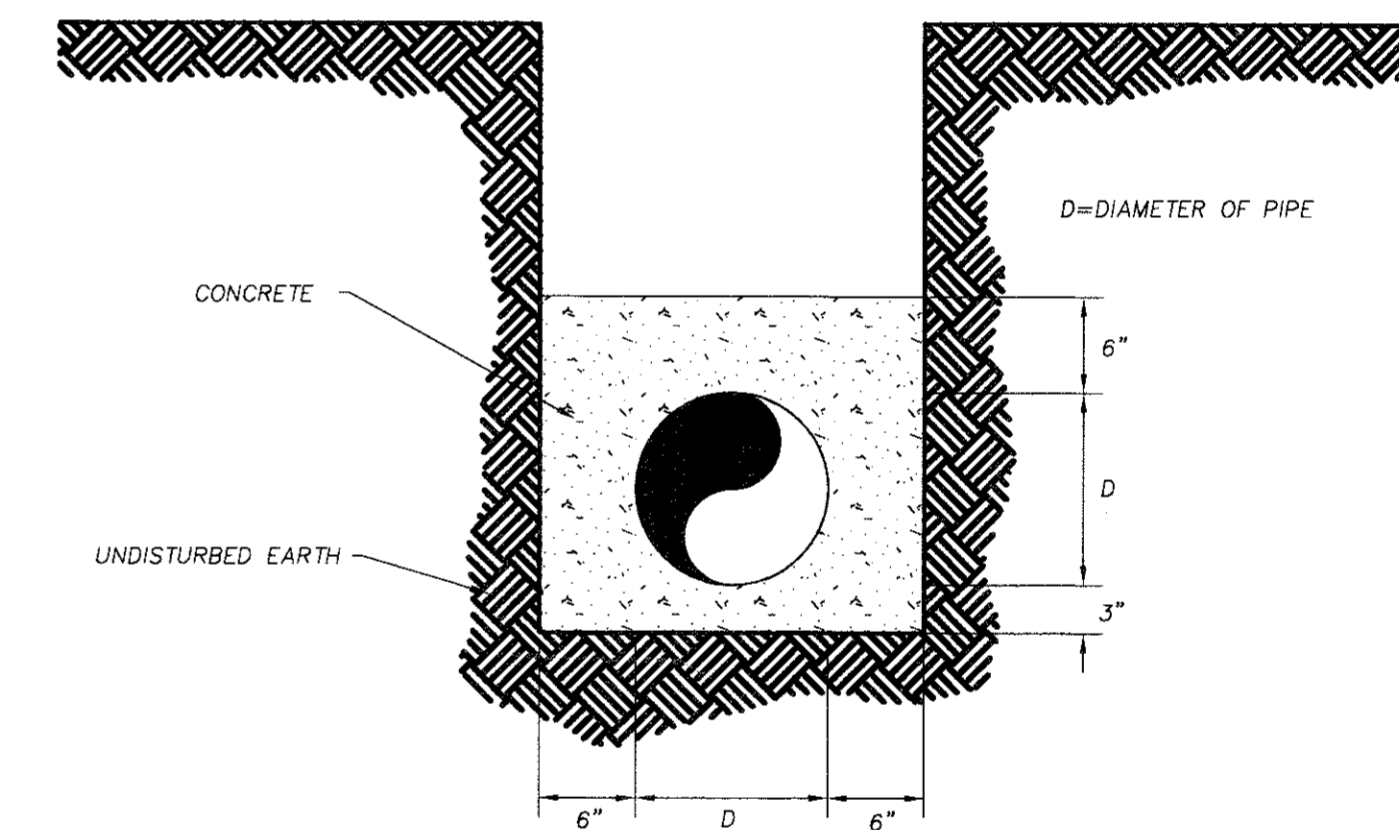
TYPICAL TRENCH (NOT TO SCALE)



TYPICAL HIGHWAY CROSSING (NOT TO SCALE)

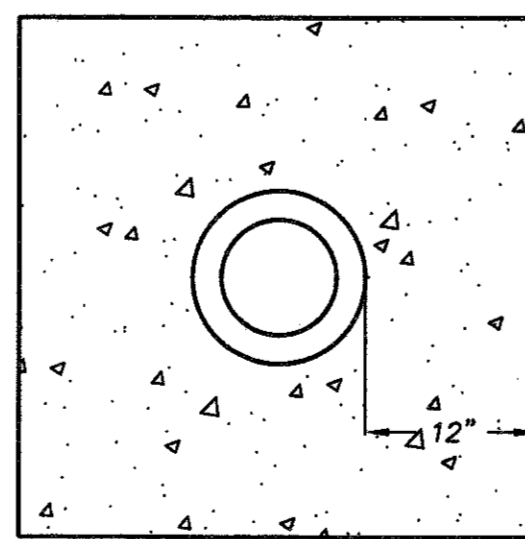


CONSTRUCTION OF A SILT FENCE (NOT TO SCALE)



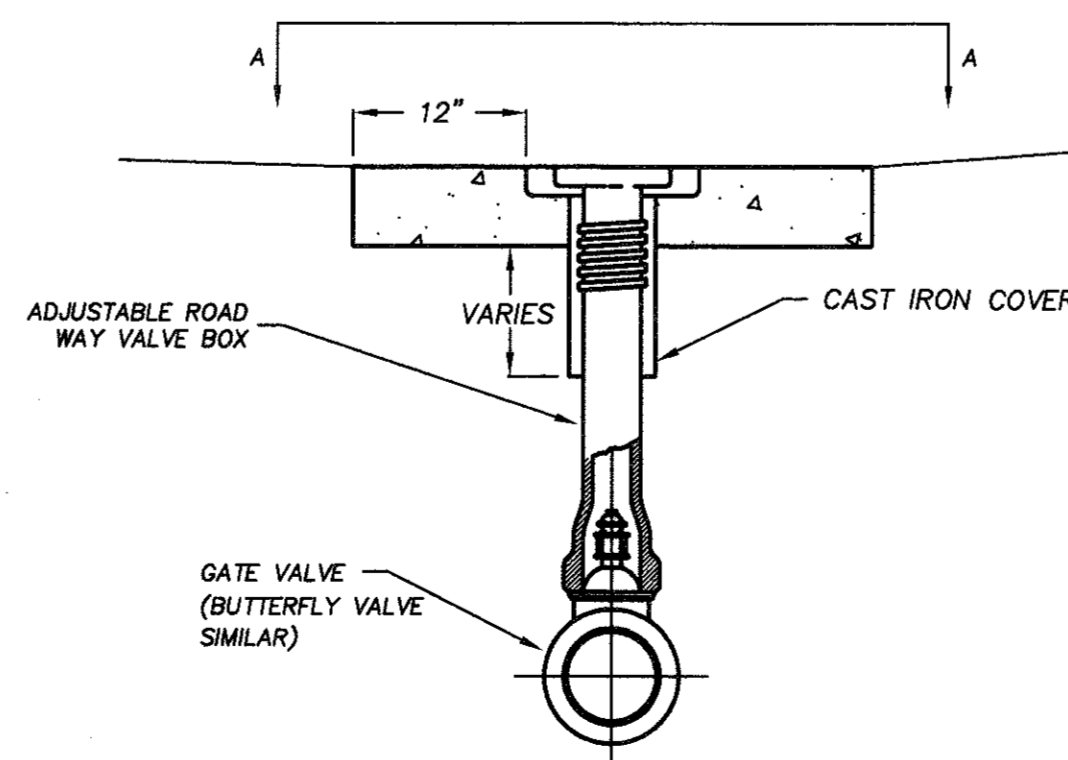
TYPICAL TRENCH WITH CASING (NOT TO SCALE)

PROVIDE CONCRETE AROUND VALVES IN ROADWAY, SIDEWALKS AND PAVEMENT ONLY.



PROVIDE CONCRETE VALVE MARKER AS PER SPECIFICATION SECTION 2713-5

TYPICAL VALVE INSTALLATION (NOT TO SCALE)

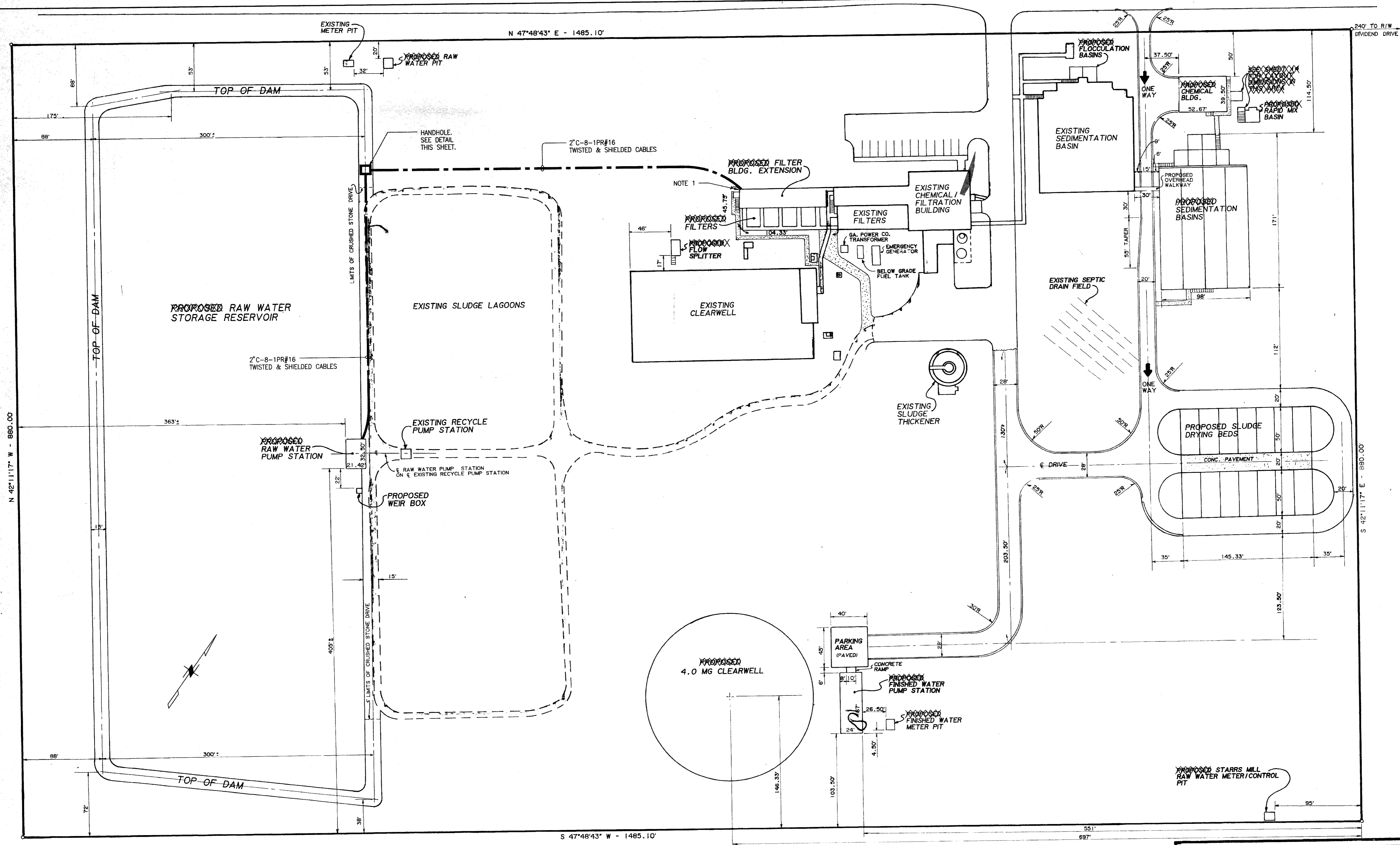


**Mallet & Associates, Inc.**  
 115-B BRADFORD SQUARE FAYETTEVILLE, GEORGIA 30215  
 PHONE: 770-719-3333  
 FAX: 770-719-3377

CROSTOWN TREATMENT PLANT  
 RAW WATER FLOW MODIFICATIONS  
 for FAYETTE COUNTY WATER SYSTEM

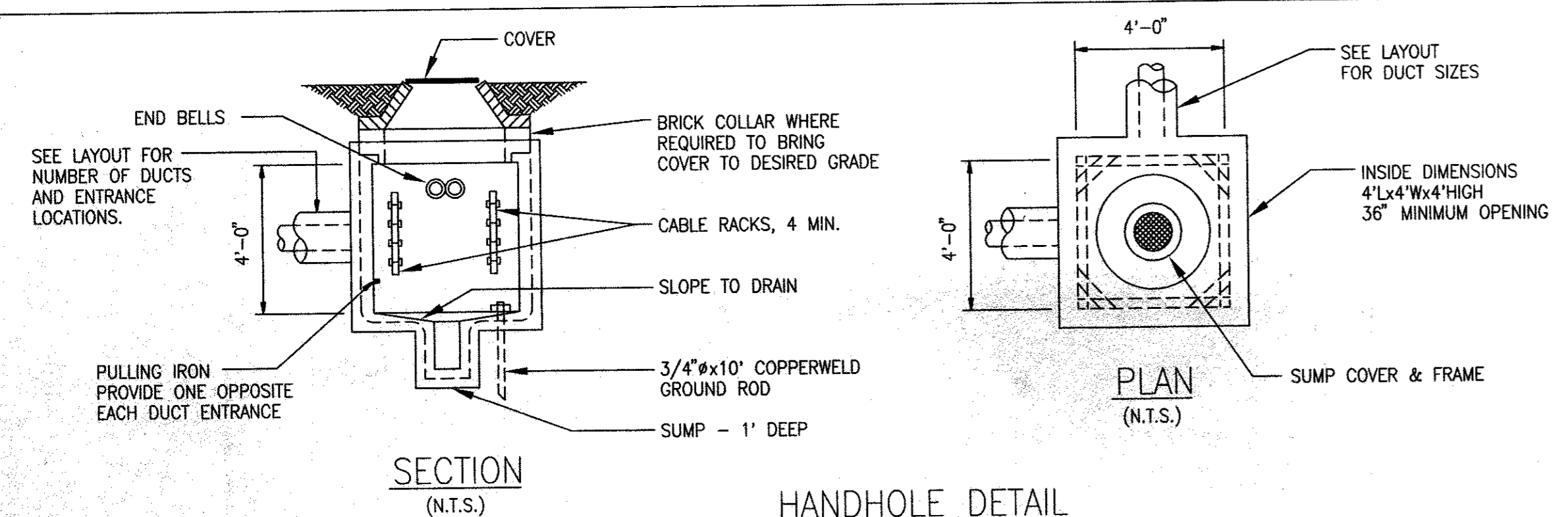
PIPING DETAILS

REV. No.	DATE	DESCRIPTION	BY	APP'D	STATE	LAND LOT - 53 & 54	DESIGN	SCALE
					GEORGIA	DISTRICT - 6TH	PES	NTS
						SECTION - XXX	DRAWN	DATE
						CITY - PEACHTREE CITY	PES	11/2/99
						COUNTY - FAYETTE	CHECK	FILE NO.
						APPROVED	DWJ	99127
						JEM		SHEET NO. 5 of 8



**NOTES:**

1. PROVIDE A PULLBOX IN THE PIPE GALLERY. EXTEND 2" RIGID GALVANIZED STEEL CONDUIT WITH 8-1PR#16 CABLES FROM THE PULLBOX TO THE EXISTING MASTER R.T.U. FIELD ROUTE CONDUIT (APPROX. DISTANCE 250 FEET).



**HANDHOLE NOTES:**

1. HANDHOLE WALLS, TOP, FLOOR - 6" THICK CONCRETE. SUMP WALLS & FLOOR - 4" THICK CONCRETE.
2. PROVIDE CONDUIT STUB OUTS WITH CAPS CORRESPONDING TO ALL SPARE CONDUITS WHICH END IN THE MANHOLE/HANDHOLE. THESE SHALL BE ON THE OPPOSITE WALL IN ADDITION TO THESE, PROVIDE 3-3" SPARE STUB OUTS WITH CAPS ON ALL THE WALLS.

REBARS TO BE MIN. #4. WALLS & FLOOR SHALL HAVE BARS 8" O.C. THE TOP SHALL HAVE BARS INSTALLED AS SHOWN AT MINIMUM OF 2" FROM OPENING AND SPACING OF 4" O.C.



**Mallett & Associates, Inc.**  
 115-B BRADFORD SQUARE FAYETTEVILLE, GEORGIA 30215  
 PHONE: 770-719-3333  
 FAX: 770-719-3377

**CROSTOWN TREATMENT PLANT  
 RAW WATER FLOW MODIFICATIONS  
 for FAYETTE COUNTY WATER SYSTEM**

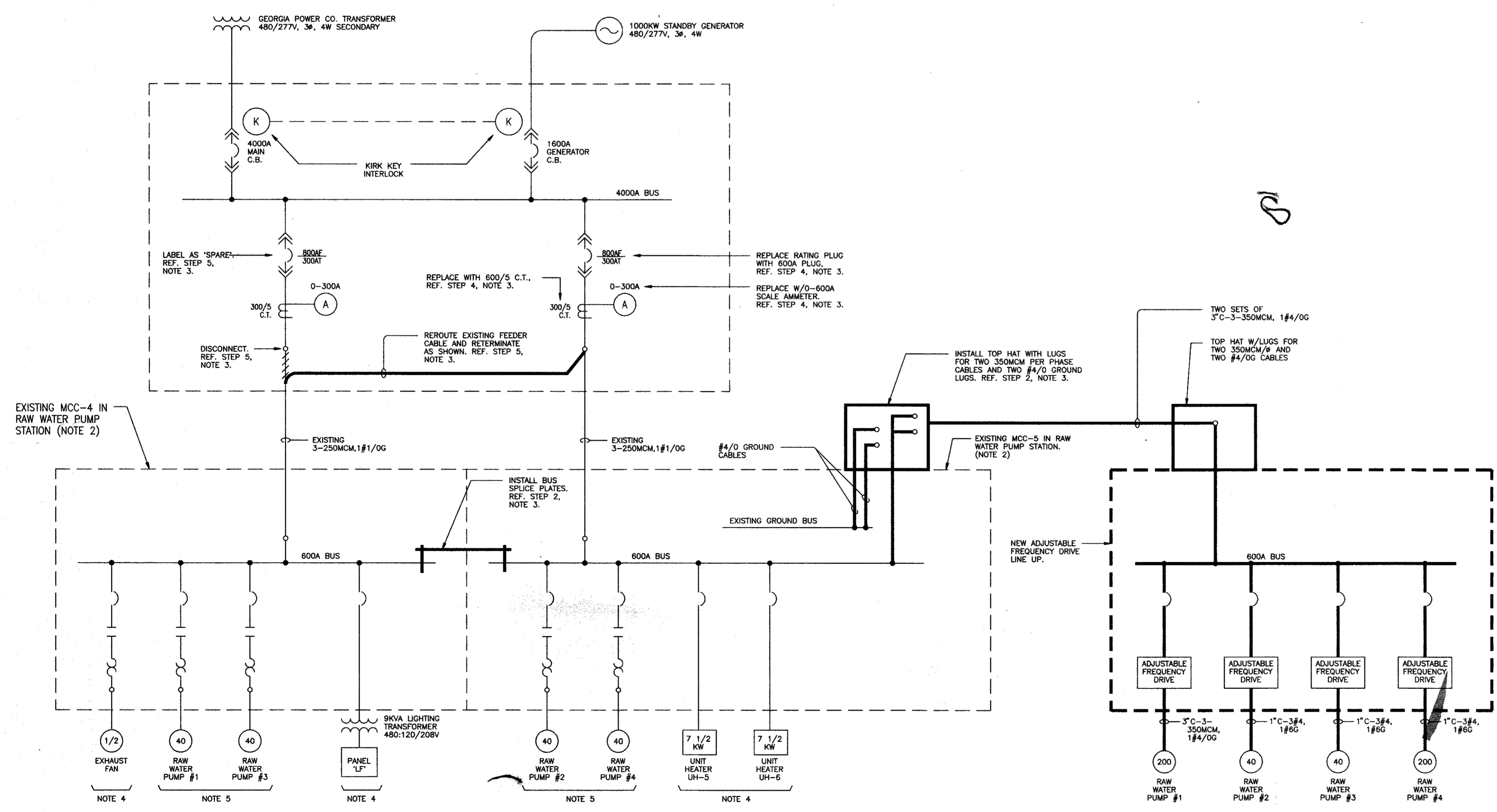
E1		ELECTRICAL SITE LAYOUT		
LAND LOT - 53 & 54	DESIGN	SNK	SCALE	1" = 50'
DISTRICT - 6TH	DRAWN	PYB	DATE	11/2/99
SECTION - XXX	CHECK	SNK	FILE NO.	99127
CITY - PEACHTREE CITY	APPROVED	JEM	SHEET NO.	6 of 8
COUNTY - FAYETTE	BY	APP'D	STATE - GEORGIA	
REV. No.	DATE	DESCRIPTION	BY	APP'D

**NOTES:**

- ALL EXISTING EQUIPMENT AND CABLES ARE SHOWN IN LIGHT LINES. THE REQUIRED MODIFICATIONS ARE SHOWN IN HEAVY LINES.
  - EXISTING MAIN SWITCHGEAR IS GENERAL ELECTRIC TYPE AKD-8 (G.E. SHOP ORDER NO. 919663). EXISTING MOTOR CONTROL CENTERS MCC-4 AND MCC-5 ARE GENERAL ELECTRIC TYPE 8000 (G.E. REQUISITION NO. 35197982 - ITEM 1 AND ITEM 2 RESPECTIVELY).
  - POWER DISTRIBUTION MODIFICATION WORK SHALL BE CARRIED OUT IN THE STEPS BELOW:
    - STEP 1** TURN THE FEEDER C.B.'S FOR MCC-4 AND MCC-5 IN 'OFF' POSITION. COORDINATE THIS WITH THE OWNER.
    - STEP 2** INSTALL BUS SPLICE PLATES PROCURED FROM GENERAL ELECTRIC TO MAKE THE 600A BUS FOR EXISTING MCC-4 & MCC-5 CONTINUOUS. PROCURE TOP HAT WITH INDICATED LUGS, BUSBAR EXTENSION HARDWARE AND OTHER NECESSARY MATERIALS FROM GENERAL ELECTRIC AND INSTALL AS INDICATED.
    - STEP 3** TURN THE FEEDER C.B. FOR MCC-4 'ON'. THIS FEEDER C.B. SHALL TEMPORARILY POWER BOTH MCC-4 & MCC-5.
    - STEP 4** REPLACE EXISTING C.T., AMMETER AND RATING PLUG WITH THE NEW COMPONENTS PROCURED FROM GENERAL ELECTRIC.
    - STEP 5** COORDINATE WITH THE OWNER FOR POWER OUTAGE TO RAW WATER PUMP STATION. TURN THE FEEDER C.B. FOR MCC-4 'OFF'. DISCONNECT THE FEEDER CABLES FROM THIS C.B. AND TERMINATE ON THE MODIFIED MCC-5 C.B. PROVIDE ADDITIONAL LUGS FOR THIS CABLE TERMINATION. TURN THE MCC-5 C.B. 'ON'. THE RAW WATER PUMP STATION WILL NOW OPERATE FROM THIS CIRCUIT BREAKER. LABEL THE MCC-4 C.B. AS 'SPARE'.
  - EXISTING LOADS SHALL CONTINUE TO OPERATE AS BEFORE.
  - THE RAW WATER PUMPS SHALL BE TRANSFERRED TO NEW ADJUSTABLE FREQUENCY DRIVES IN THE FOLLOWING SEQUENCE:
    - a) RAW WATER PUMP #1
    - b) RAW WATER PUMP #4
    - c) RAW WATER PUMP #2
    - d) RAW WATER PUMP #3
- LABEL EXISTING STARTERS AS 'SPARE' AFTER ALL THE PUMPS ARE TRANSFERRED TO ADJUSTABLE FREQUENCY DRIVES.

**LEGEND**

- UNDERGROUND DUCT BANK
- ELECTRICAL HANDHOLE
- CONDUIT RUN EXPOSED
- POWER CIRCUIT BREAKER
- MOLDED CASE CIRCUIT BREAKER  
MCP DENOTES MOTOR CIRCUIT PROTECTOR
- MAGNETIC STARTER-CONTACTOR WITH THERMAL ELEMENT
- MOTOR-NUMBER INSIDE INDICATES HORSEPOWER RATING
- STARTER COIL
- CONTROL POWER TRANSFORMER
- FUSE
- OVERLOAD RELAY CIRCUIT OPENS ON OVERLOAD
- NORMALLY OPEN (N.O.) CONTACT
- SELECTOR SWITCH  
THREE POSITION  
H-O-A: HAND-OFF-AUTO  
L-O-R: LOCAL-OFF-REMOTE

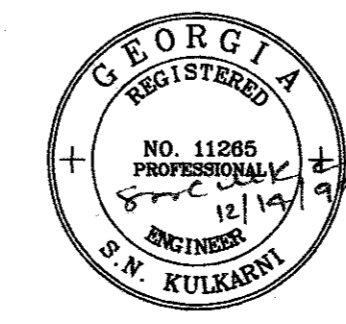


**PARTIAL SINGLE LINE DIAGRAM**  
(NOTE 1)

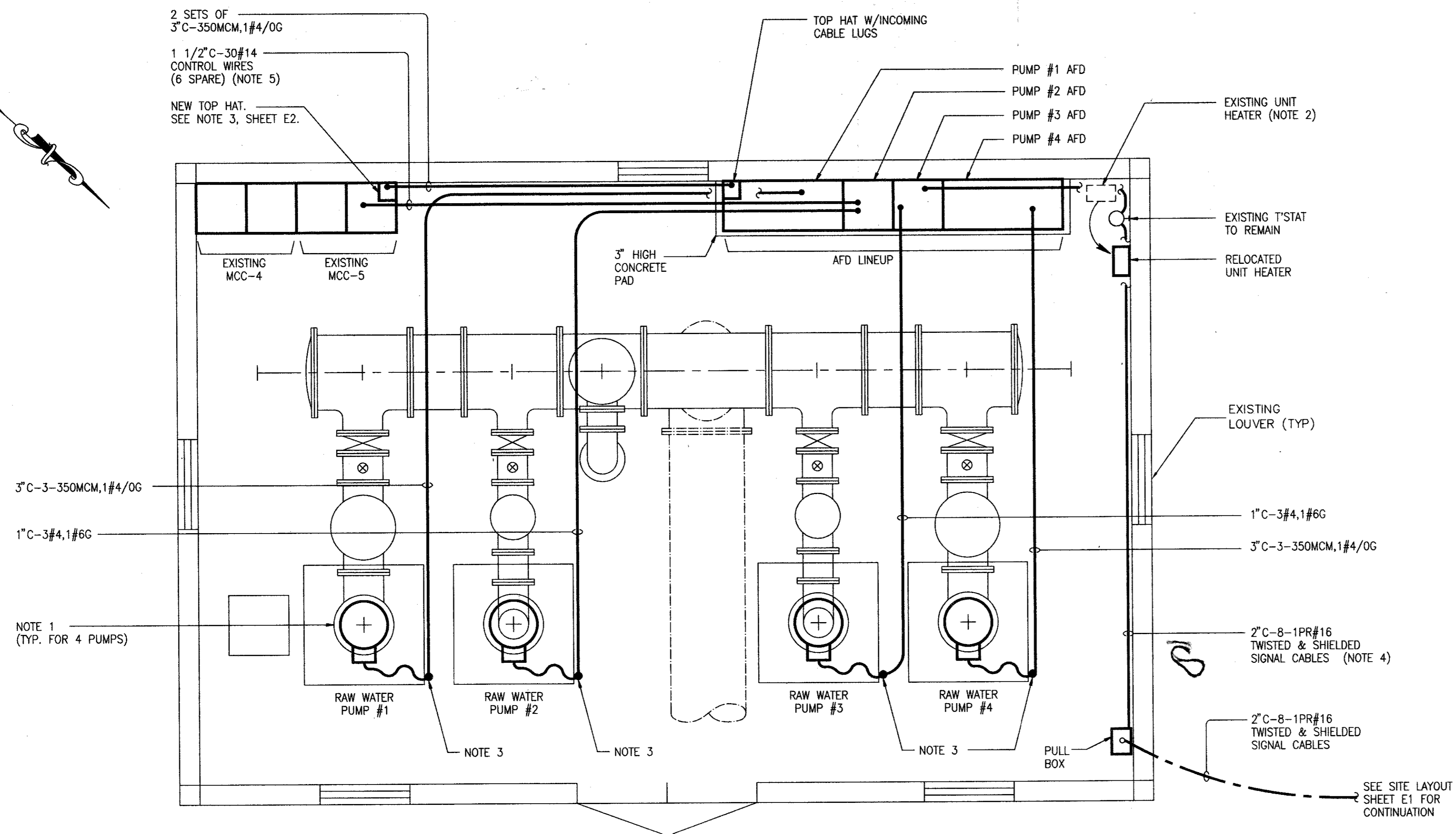
**Mallett & Associates, Inc.**  
115-B BRADFORD SQUARE FAYETTEVILLE, GEORGIA 30215  
PHONE: 770-719-3333  
FAX: 770-719-3377

**CROSSTOWN TREATMENT PLANT**  
**RAW WATER FLOW MODIFICATIONS**  
**for FAYETTE COUNTY WATER SYSTEM**

**E2** SINGLE LINE DIAGRAM & LEGEND



LAND LOT - 53 & 54	DESIGN	SNK	SCALE	NONE
DISTRICT - 6TH	DRAWN	PYB	DATE	11/2/99
SECTION - XXX	CHECK	SNK	FILE NO.	99127
CITY - PEACHTREE CITY	APPROVED	JEM	SHEET NO.	7 of 8
COUNTY - FAYETTE	STATE - GEORGIA			
REV. No.	DATE	DESCRIPTION	BY	APP'D



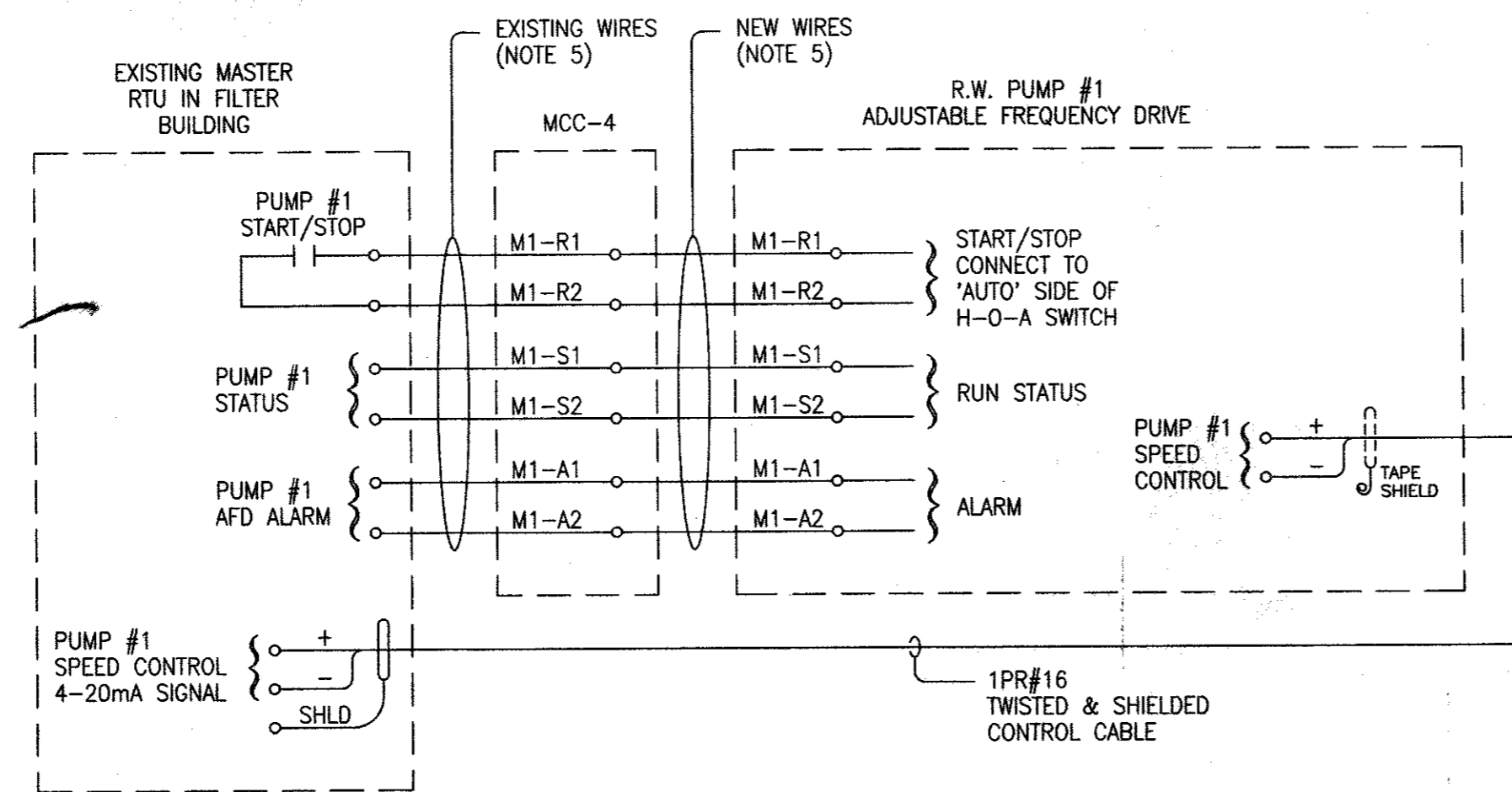
**ELECTRICAL LAYOUT  
RAW WATER PUMP STATION**  
3/8" = 1'-0"

**NOTES**

- DISCONNECT AND REMOVE EXISTING CABLES FROM MCC-4 & MCC-5 TO THE PUMP MOTORS.
- RELOCATE EXISTING UNIT HEATER AND RECONNECT POWER & T'STAT CABLES.
- DROP CONDUIT VERTICALLY DOWN AND CONNECT TO MOTOR WITH FLEXIBLE CONDUIT. SUPPORT CONDUIT AT CEILING AND FROM PUMP CONCRETE FOUNDATION.
- LEAVE 4-1PR#16 CABLES COILED UP AND LABELED 'SPARE' AT BOTH THE ENDS.
- EXTEND CONTROL WIRES FROM EACH EXISTING R.W. PUMP STARTER TO THE RESPECTIVE ADJUSTABLE FREQUENCY DRIVE FOR THE FOLLOWING:

- 2#14 PUMP START/STOP CONTROL FROM SCADA
- 2#14 PUMP RUN STATUS TO SCADA
- 2#14 PUMP AFD FAIL ALARM

IDENTIFY EXISTING CONTROL WIRES FROM MASTER RTU TO THE STARTERS AND RELABEL AS SHOWN ON TYPICAL SCHEMATIC DIAGRAM FOR THE ADJUSTABLE FREQUENCY DRIVE.



**SCHEMATIC DIAGRAM  
ADJUSTABLE FREQUENCY DRIVE  
RAW WATER PUMP #1**

TYP. FOR 4 PUMPS - CHANGE WIRE NUMBER  
PREFIX FROM M1 TO M2, M3 & M4

**Mallett & Associates, Inc.**  
115-B BRADFORD SQUARE FAYETTEVILLE, GEORGIA 30215  
PHONE: 770-719-3333  
FAX: 770-719-3377

**CROSTOWN TREATMENT PLANT  
RAW WATER FLOW MODIFICATIONS  
for FAYETTE COUNTY WATER SYSTEM**

**E3 ELECTRICAL LAYOUT & DETAILS**

LAND LOT - 53 & 54	DESIGN	SNK	SCALE	NONE
DISTRICT - 6TH	DRAWN	PYB	DATE	11/2/99
SECTION - xxx	CHECK	SNK	FILE NO.	99127
CITY - PEACHTREE CITY	APPROVED	JEM	SHEET NO.	8 of 8
COUNTY - FAYETTE	STATE - GEORGIA			
REV. No.	DATE	DESCRIPTION	BY	APP'D

