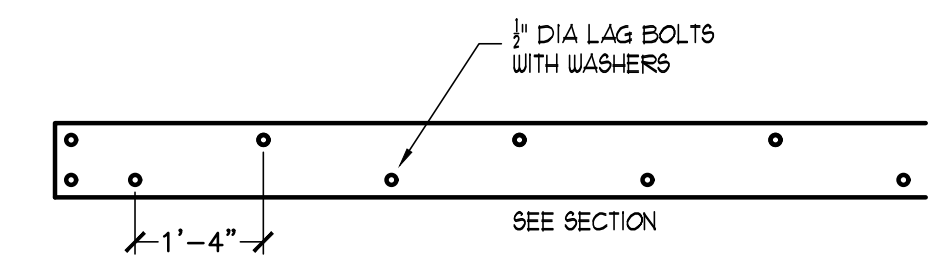


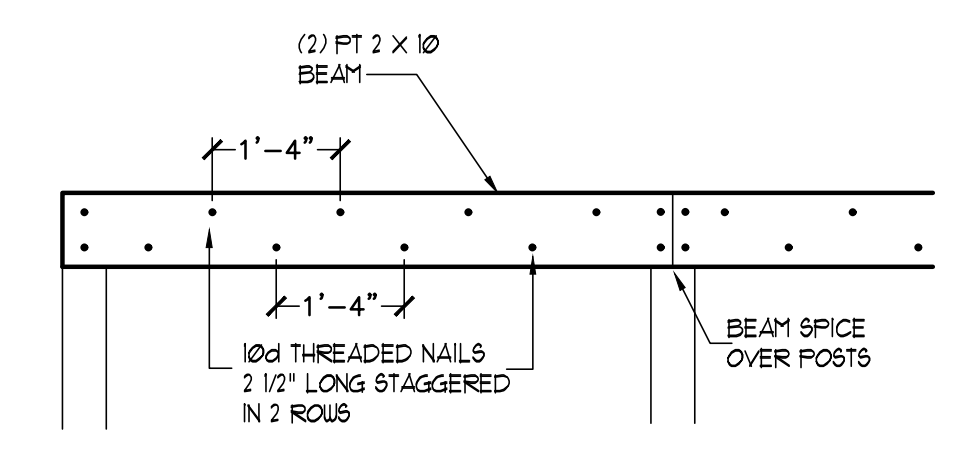
1 DEMOLITION PLAN Scale: 1/8"=1'-0"

DEMOLITION NOTES:

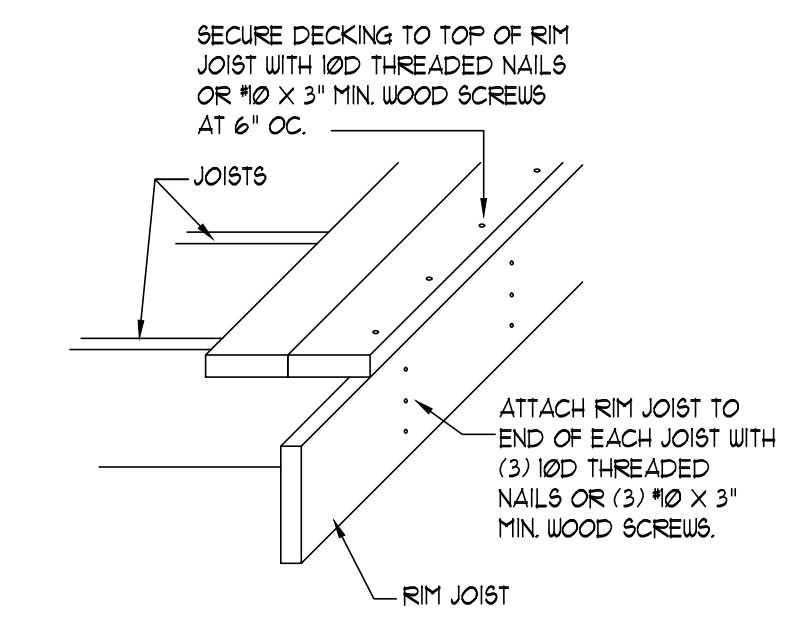
1. REMOVE PLUMBING FIXTURES TO UNDERSIDE OF EXISTING SUBFLOOR.
2. REMOVE DOORS AND WINDOWS.
3. REMOVE STAIRS AND FILL IN FLOOR
4. REMOVE INTERIOR SUPPORT COLUMNS. PROVIDE ENGINEERING TO REPLACE PRESENT SYSTEM.
5. REMOVE INTERIOR WALLS. TEMPORARILY SUPPORT CEILINGS AND ROOF STRUCTURES UNTIL NEW SUPPORT WALL ARE INSTALLED
6. REMOVE CABINETS AND APPLIANCES
7. ALL EXISTING ELECTRICAL, AND MECHANICAL SYSTEMS WILL BE REPLACED/RELOCATED.



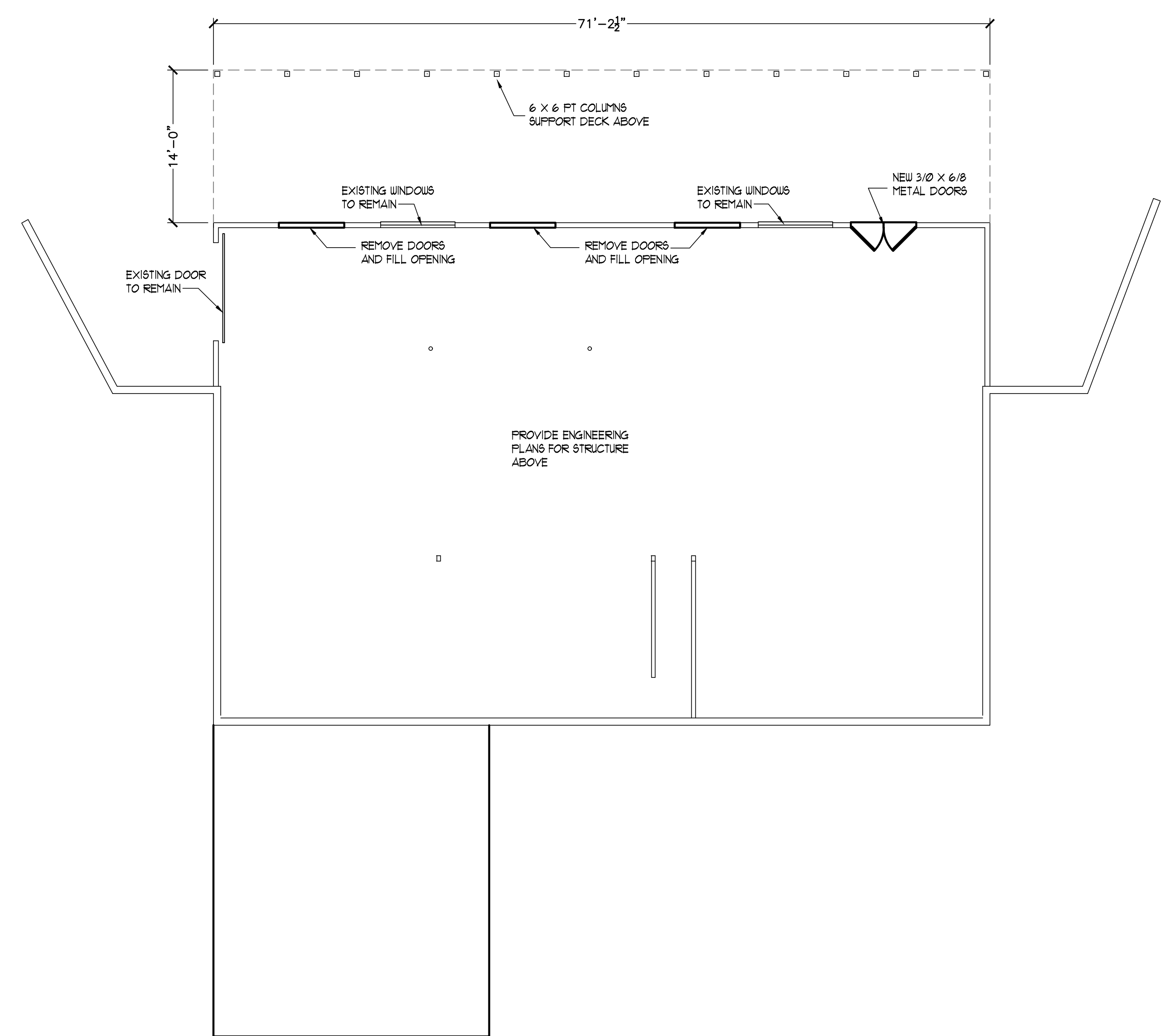
3 LEDGER ATTACHMENT DETAIL Scale: 1/2"=1'-0"



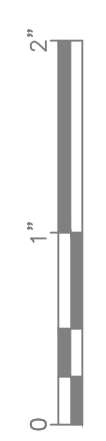
4 BEAM DETAIL Scale: 1/2"=1'-0"



5 RIM JOISTS DETAIL Scale: NTS



1 BASEMENT PLAN Scale: 1/8"=1'-0"



RENOVATION FOR:
FAYETTE COUNTY SHERIFF'S DEPARTMENT
 203 HEWELL ROAD
 JONESBORO, GEORGIA

Master Home Designs, Inc.
 678-568-4851
 MASTER HOME DESIGNS, INC. ASSUMES NO LIABILITY FOR ANY WORK CONSTRUCTED FROM THESE PLANS UNLESS SPECIFICALLY NOTED OTHERWISE. VERIFY ALL DIMENSIONS AND CONDITIONS PRIOR TO BEGINNING ANY WORK.

DEMO &
 BASEMENT
 PLAN

SHEET
 A2