



ADDENDUM NO. 3
TO THE CONTRACT DOCUMENTS

Date: June 11, 2015
Project No.: 497074

for the construction of

CROSTOWN WATER TREATMENT PLANT IMPROVEMENTS BID #960-B
FAYETTE COUNTY WATER SYSTEM
FAYETTE COUNTY, GEORGIA

To All Planholders and/or Prospective Bidders:

The following changes, additions, and/or deletions are hereby made a part of the Contract Documents for the construction of Crosstown Water Treatment Plant Improvements Bid #960-B dated May 2015 as fully and completely as if the same were fully set forth therein:

A. **PART 2—CONTRACTING REQUIREMENTS**

1. **Section 00 41 13, Bid Form**

DELETE in its entirety and REPLACE with attached.

B. **PART 3—SPECIFICATIONS**

C. **Section 44 22 01, Chlorine Dioxide Generator**

Page 1, paragraph 1.02.B, DELETE “CRE 5-13” REPLACE with “CR3-11”

Page 3, paragraph 2.02.B.3, DELETE “130” REPLACE with “100 and maximum of 140”

Page 5, paragraph 2.05.B.4, DELETE “CRE 5-13” REPLACE with “CR3-11”

Page 5, paragraph 2.06.B, DELETE “CPVC” REPLACE with “CPVC, Teflon, Viton, Kynar, or Halar.”

Page 5, paragraph 2.07.A, DELETE “Provide anchor bolts in accordance with Section 05 50 00, Metal Fabrications.” REPLACE with “Anchor bolts shall be appropriately sized in accordance with Section 01 88 15, Anchorage and Bracing.”

Page 6, paragraph 2.09.A, Table DELETE “4X” REPLACE with “12”

Page 7, paragraph 2.09.H.5, DELETE “differential pressure” REPLACE with “vacuum”.

Page 8, paragraphs 2.12.A.7 and 2.12.A.8, DELETE in its entirety and renumber subsequent paragraphs.

Page 8, paragraph 2.12.A.10, DELETE “Four 3/8-inch” REPLACE with “Four 1/2-inch”.

Page 8, paragraph 3.02.A.1, DELETE “system Manufacturer” REPLACE with “system Manufacturer Representative”

Page 8, Paragraph 3.02.A.2, DELETE “system Supplier” REPLACE with “system Manufacturer Representative”

D. **PART 4—DRAWINGS**

1. Drawing 30-E-02, DELETE in its entirety and REPLACE with revised attached.
2. Drawing 30-E-05, DELETE in its entirety and REPLACE with revised attached.
3. Drawing 30-E-07, DELETE in its entirety and REPLACE with revised attached.

All Bidders shall acknowledge receipt and acceptance of this Addendum No. 3 in the Bid Form or by submitting the Addendum with the bid package. Bid Forms submitted without acknowledgment or without this Addendum will be considered in nonconformance.

CH2M HILL

Project Manager

Michael E. Diaz, P.E., M.S.

Appended hereto and part of Addendum No. 3:

Section 00 41 13, Bid Form, attached.

Drawing 30-E-02, attached.

Drawing 30-E-05, attached.

Drawing 30-E-07, attached.

END OF ADDENDUM

NOTE TO BIDDER: Use typewriter or ink for completing this Bid Form.

**BID FORM
(STIPULATED PRICE BASIS)**

1. BID RECIPIENT

1.1. This Bid is submitted to:

Owner: Fayette County, Georgia
 Address: Purchasing Department, 140 Stonewall Avenue West,
Suite 204, Fayetteville, Georgia 301214
 Project Identification: Crosstown Water Treatment Plant Improvements
Bid #960-B

1.2. The undersigned Bidder proposes and agrees, if this Bid is accepted, to enter into an Agreement with Owner in the form included in the Bidding Documents to perform all Work as specified or indicated in the Bidding Documents for the prices and within the times indicated in this Bid and in accordance with the other terms and conditions of the Bidding Documents.

2. BIDDER'S ACKNOWLEDGEMENTS

2.1. Bidder accepts all of the terms and conditions of the Instructions to Bidders, including without limitation those dealing with the disposition of Bid security. This Bid will remain subject to acceptance for 60 days after the Bid opening, or for such longer period of time that Bidder may agree to in writing upon request of Owner.

3. BIDDER'S REPRESENTATIONS

3.1. In submitting this Bid, Bidder represents that:

3.1.1. Bidder has examined and carefully studied the Bidding Documents, the other related data identified in the Bidding Documents, and the following Addenda, receipt of which is hereby acknowledged.

<u>Addendum No.</u>	<u>Addendum Date</u>
_____	_____
_____	_____
_____	_____

(Bidder shall insert number of each Addendum received.)

3.1.2. Bidder has visited the Site and become familiar with and is satisfied as to the general, local, and Site conditions that may affect cost, progress, and performance of the Work.

3.1.3. Bidder is familiar with and is satisfied as to all Laws and Regulations that may affect cost, progress, and performance of the Work.

3.1.4. Bidder has carefully studied: i) reports of explorations and tests of subsurface conditions at or contiguous to the Site and Drawings of physical conditions relating to existing surface or subsurface structures at the Site (except Underground Facilities) which have been identified in Paragraph 4.02 of the Supplementary Conditions as containing reliable "technical data,"; and ii) reports and Drawings of Hazardous Environmental Conditions, if any, at the Site that have been identified in Paragraph 4.06 of the Supplementary Conditions as containing reliable "technical data."

3.1.5. Bidder has considered the information known to Bidder; information commonly known to Contractors doing business in the locality of the Site; information and observations obtained from visits to the Site; the Bidding Documents; and the Site-related reports and Drawings identified in the Bidding Documents, with respect to the effect of such information, observations, and documents on (1) the cost, progress, and performance of the Work; (2) the means, methods, techniques, sequences, and procedures of construction to be employed by Bidder, including applying the specific means, methods, techniques, sequences, and procedures of construction expressly required by the Bidding Documents; and (3) Bidder's safety precautions and programs.

3.1.6. Based on information and observations referred to in paragraph above, Bidder does not consider that further examinations, investigations, explorations, tests, studies, or data are necessary for the determination of this Bid for performance of the Work at the price(s) Bid and within the times required, and in accordance with the other terms and conditions of the Bidding Documents.

3.1.7. Bidder is aware of the general nature of work to be performed by Owner and others at the Site that relates to the Work as indicated in the Bidding Documents.

3.1.8. Bidder has given Engineer written notice of conflicts, errors, ambiguities, or discrepancies that Bidder has discovered in the Bidding Documents, and the written resolution thereof by Engineer is acceptable to Bidder.

3.1.9. The Bidding Documents are generally sufficient to indicate and convey understanding of terms and conditions for the performance of the Work for which this Bid is submitted.

4. BIDDER'S CERTIFICATION

4.1. Bidder certifies:

4.1.1. This Bid is genuine and not made in the interest of or on behalf of any undisclosed individual or entity and is not submitted in conformity with any collusive agreement or rules of any group, association, organization or corporation;

4.1.2. Bidder has not directly or indirectly induced or solicited any other Bidder to submit a false or sham Bid;

4.1.3. Bidder has not solicited or induced any individual or entity to refrain from bidding; and

4.1.4. Bidder has not engaged in corrupt, fraudulent, collusive, or coercive practices in competing for the Contract. For the purposes of this paragraph:

4.1.4.1. "corrupt practice" means the offering, giving, receiving, or soliciting of anything of value likely to influence the action of a public official in the bidding process;

4.1.4.2. "fraudulent practice" means an intentional misrepresentation of facts made (a) to influence the bidding process to the detriment of Owner, (b) to establish Bid prices at artificial noncompetitive levels, or (c) to deprive Owner of the benefits of free and open competition;

4.1.4.3. "collusive practice" means a scheme or arrangement between two or more Bidders, with or without the knowledge of Owner, a purpose of which is to establish Bid prices at artificial, noncompetitive levels; and

4.1.4.4. "coercive practice" means harming or threatening to harm, directly or indirectly, persons or their property to influence their participation in the bidding process or affect the execution of the Contract.

4.1.5. Required sales and use taxes are included in the stated Bid prices for the Work unless provision is made herein for the Bidder to separately itemize the estimated amount of sales tax or if Instructions to Bidders state Owner is tax exempt.

5. OWNER PRESELECTED EQUIPMENT

5.1. Owner has preselected and has pre-negotiated the cost of the materials or equipment items shown in the table. The scope of equipment and services to be provided by each supplier is provided in the Specifications. The Bidder agrees that payment for the scope of equipment and services by each supplier as shown in the Specifications is included in the Lump Sum Work. Taxes are not include in the amounts listed below.

Specification Section No.	Preselected Equipment Name and Manufacturer	Negotiated Price
40 99 91	Filter Package Control System	\$1,572,500.00*
44 43 34	Filter Underdrain System	
44 43 30	Filter Media	\$209,043.00

* Includes option adders Filter Magic Remote Access System (\$9,900.00), Backwash ROF 20" Venturi w/ Transmitter and 20" Valve w/ Electric Actuator (\$25,600.00), and four NEMA 12 Filter Magic "Slave" Filter Control Consoles (\$42,000.00).

6. PICS SUPPLIERS

6.1. Bidder shall use one of the Listed PICS supplier below, for the Process Instrumentation Control Systems (PICS) specified in Section 40 90 01, Instrumentation and Control for Process Systems. Bidder shall circle the name of the PICS Supplier. In the event that the Bidder fails to circle one of the named PICS Suppliers, the first named PICS supplier shall be used for the Project. Owner specifying the Supplier does not exempt Contractor or Supplier from meeting the requirements of the Contract Documents; nor does it give prior approval of subsystems, equipment, materials, or services.

Listed PICS Suppliers	
Industrial Control Systems	Sandstone, VA
M/R Systems	Norcross, GA
Revere Control Systems	Birmingham, AL
J.K. Duren Company	Roswell, GA
Kapsch (Transdyn Controls)	Duluth, GA

7. BASIS OF BIDS

7.1. Bidder shall complete the Work in accordance with the Contract Documents for the following price(s):

7.2. Lump Sum Bid Price: \$_____

7.3. Unit Price Bid Schedule:

7.3.1. Unit prices have been computed in accordance with Paragraph 11.03.C of the General Conditions.

7.3.2. Bidder acknowledges that estimated quantities are not guaranteed, and are solely for the purpose of comparison of Bids, and final payment for all unit price Bid items will be based on actual quantities, determined as provided in the Contract Documents.

Unit Price Bid Schedule					
Item No.	Description	Estimated Quantity	Unit	Bid Unit Price	Extended Bid Unit Price
1.	Removal of Unsuitable Materials and Replacement with Compacted Granular Fill	100	cu yd	\$	\$
Total of Extended Bid Unit Prices					\$

7.4. Base Bid Summary:

7.4.1. Lump Sum Bid Price: \$_____

7.4.2. Total Extended Unit Bid Prices: \$_____

7.4.3. Base Bid (Total of Above): \$_____

7.5. Cash Allowance(s):

7.5.1. Unforeseen Work Elements and Miscellaneous Small Items

Item	Description	Allowance
1.	Unforeseen Work Elements and Miscellaneous Small Items	\$40,000.00
Total Amount For Allowances		\$40,000.00

7.5.2. Materials Testing Laboratory

Item	Description	Allowance
1.	Materials Testing Laboratory	\$10,000.00
Total Amount For Allowances		\$10,000.00

7.5.3. Cash allowances are included in the price(s) set forth above, and have been computed in accordance with Paragraph 11.02.B of the General Conditions.

8. TIME OF COMPLETION

8.1. Bidder agrees the Work will be substantially complete within 335 calendar days after the date when the Contract Times commence to run as provided in Paragraph 2.03 of the General Conditions, and will be completed and ready for final payment in accordance with Paragraph 14.07 of the General Conditions within 365 calendar days after the date when the Contract Times commence to run.

8.2. Bidder accepts the provisions of the Agreement as to liquidated damages in the event of failure to complete the Work, and any specified Milestones, within the Contract Times.

9. ATTACHMENTS TO THIS BID

9.1. The following documents are submitted with and made a condition of this Bid:

9.1.1. Required Bid security in the form of Bid bond.

9.1.2. Bidder's Experience.

9.1.3. Bidder's Qualification.

9.1.4. List of Project References.

9.1.5. Evidence of authority to do business in the state of the Project; or a written covenant to obtain such license within the time for acceptance of Bids.

9.1.6. Contractor's License No.

9.1.7. Noncollusion Affidavit.

10. DEFINED TERMS

10.1. The terms used in this Bid with initial capital letters have the meanings stated in the Instructions to Bidders, the General Conditions, and the Supplementary Conditions.

11. BID SUBMITTAL

11.1. This Bid submitted by:

If Bidder is:

An Individual

Name (typed or printed): _____

By (signature): _____

Doing business as: _____

A Partnership

Partnership Name: _____ (SEAL)

By: _____
(Signature of general partner – attach evidence of authority to sign)

Name (typed or printed): _____

A Corporation

Corporation Name: _____ (SEAL)

State of Incorporation: _____

Type (General Business, Professional, Service, Limited Liability): _____

By: _____
(Signature – attach evidence of authority to sign)

Name (typed or printed): _____

Title: _____ (CORPORATE SEAL)

Attest: _____
(Signature of Corporate Secretary)

Date of Qualification to do business in (state where Project is located)
is: _____.

A Joint Venture

Joint Venturer Name: _____ (SEAL)

By: _____
(Signature of joint venture partner – attach evidence of authority to sign)

Name (typed or printed): _____

Title: _____

(Each joint venturer must sign. The manner of signing for each individual, partnership, and corporation that is a party to the joint venture should be in the manner indicated above.)

Bidder's Business Address: _____

Phone No.: _____ FAX No.: _____

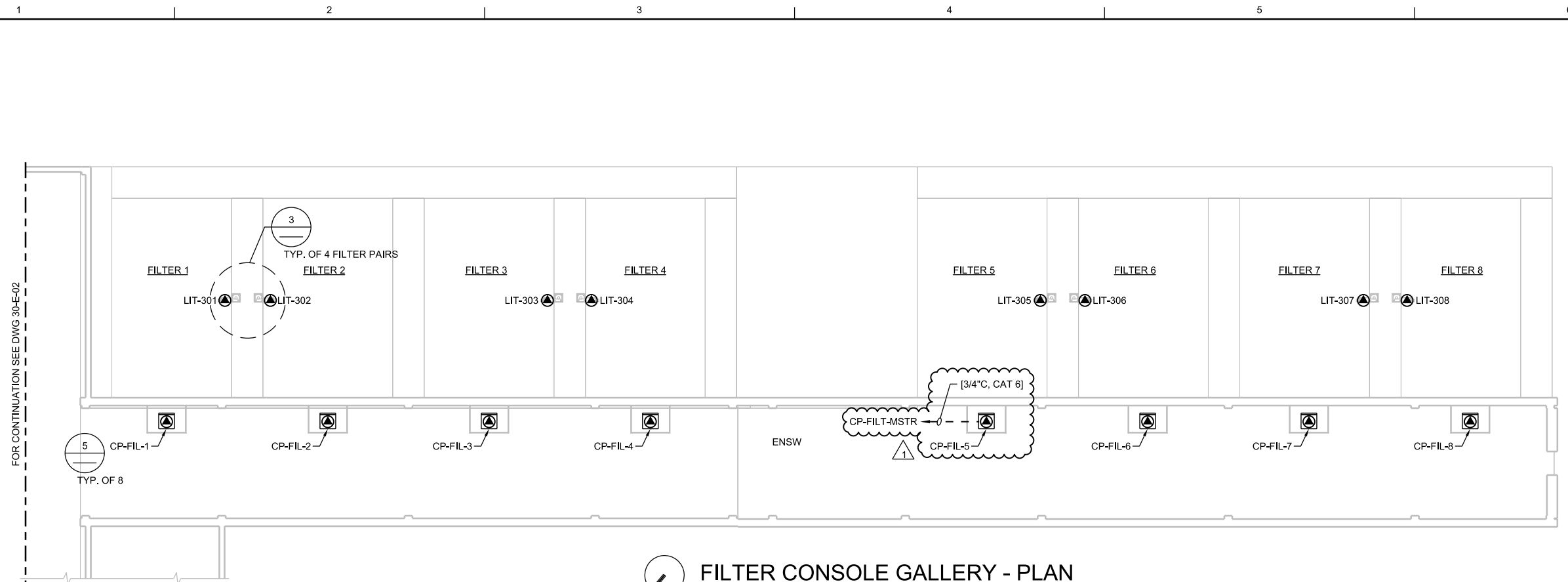
E-mail: _____

SUBMITTED on _____, 20_____

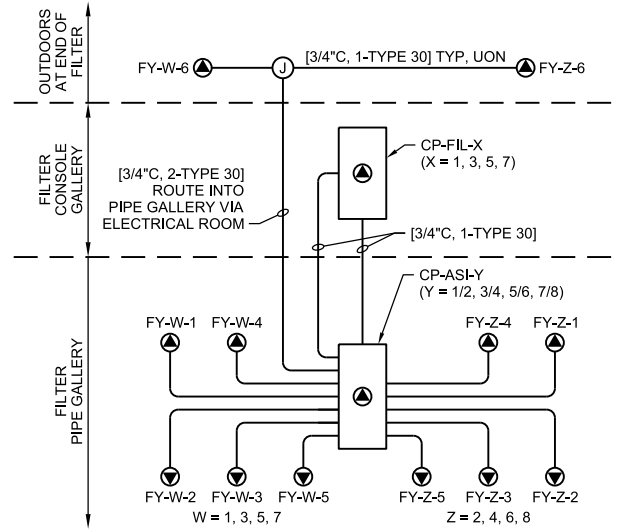
Georgia Contractor's License No.: _____

Contractor's License Class (where applicable): _____

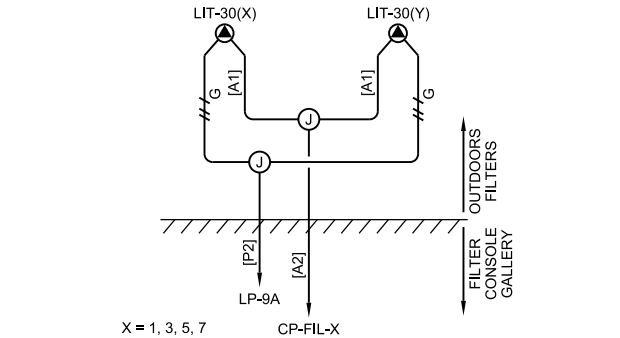
END OF SECTION



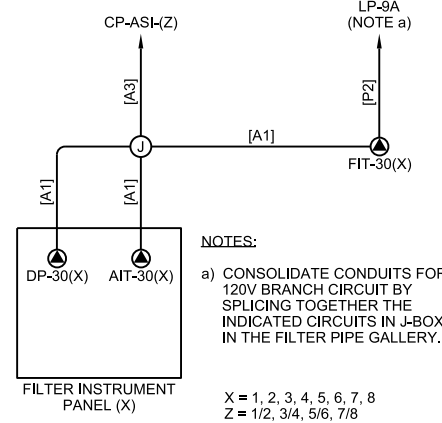
FILTER CONSOLE GALLERY - PLAN
1/8"=1'-0"



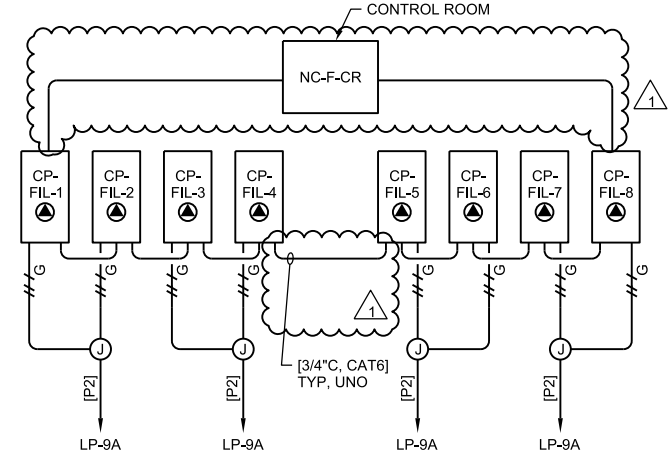
2 WIRING DETAIL - FILTER VALVES
NTS



3 WIRING DETAIL - FILTER LEVEL
NTS



4 WIRING DETAIL - FILTER INSTRUMENTS
NTS



5 WIRING DETAIL - FILTER CONSOLES
NTS

- NOTES:**
- THE AREA INSIDE THE FILTER BUILDING IS AN INDOOR, DRY, INDUSTRIAL SPACE. ALL EXPOSED CONDUIT, FITTINGS, AND ASSOCIATED MATERIALS SHALL BE RGS. ALL ELECTRICAL EQUIPMENT AND DEVICES SHALL HAVE A MINIMUM RATING OF NEMA 12. ALL SUPPORTING MATERIALS AND HARDWARE SHALL BE STAINLESS STEEL.
 - THE AREA IN THE FILTER PIPE GALLERY IS WET. ALL EXPOSED CONDUIT, FITTINGS, AND ASSOCIATED MATERIALS SHALL BE RGS. ALL ELECTRICAL EQUIPMENT AND DEVICES SHALL HAVE A MINIMUM RATING OF NEMA 4X. ALL ELECTRICAL BOXES AND ENCLOSURES BE STAINLESS STEEL. ALL SUPPORTING MATERIALS AND HARDWARE SHALL BE STAINLESS STEEL.

CH2MHILL®

6600 Peachtree Dunwoody Road
400 Embassy Court, Suite 600
Atlanta, GA 30328
Phone: 770-604-9095

CROSSTOWN WTP IMPROVEMENTS
FAYETTE COUNTY WATER SYSTEM
FAYETTE COUNTY, GEORGIA

**ELECTRICAL
FILTERS 1 TO 8
FILTER CONSOLE GALLERY
PLAN**

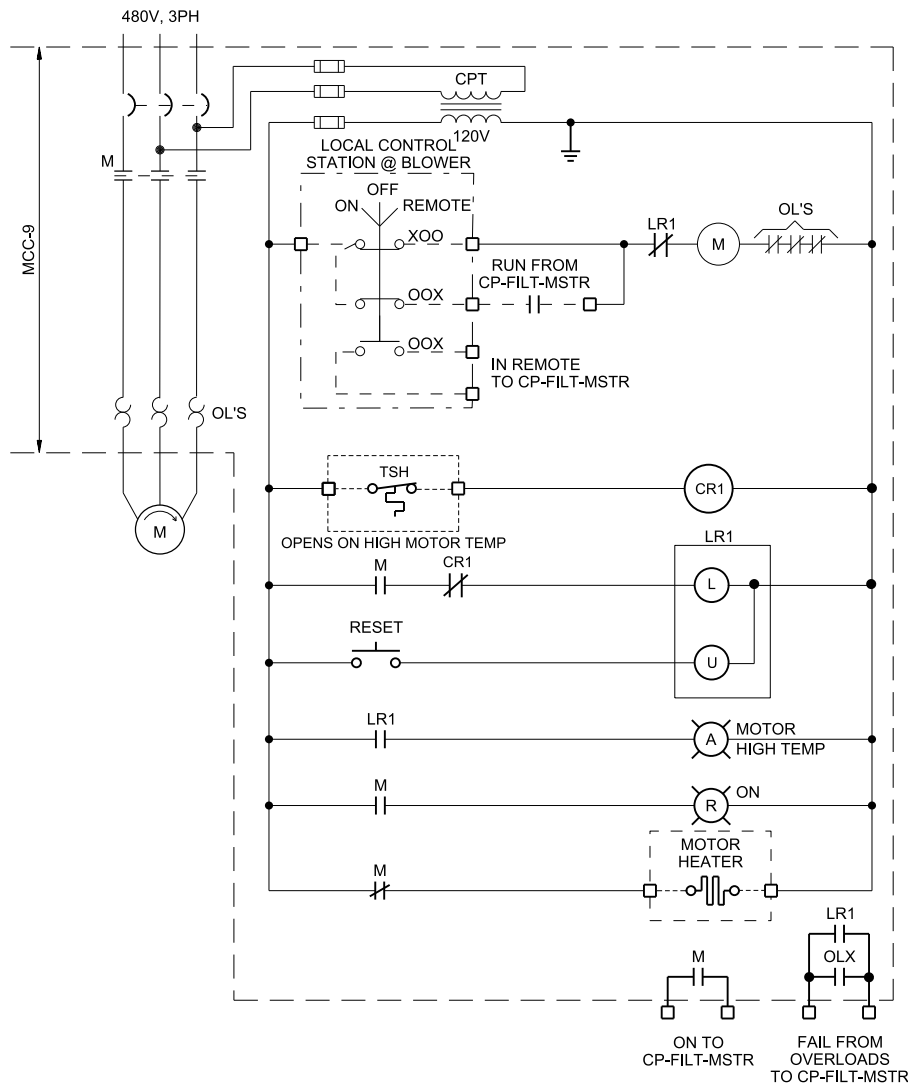
NO.	DATE	REVISION	CHK	DR	APVD
1	06/2015	FILTER CONSOLE COMMUNICATIONS			

AS NOTED
VERIFY SCALE
BAR IS ONE INCH ON ORIGINAL DRAWING.
DATE MAY 2015
PROJ 497074
DWG 30-E-05
SHEET 56 of 73

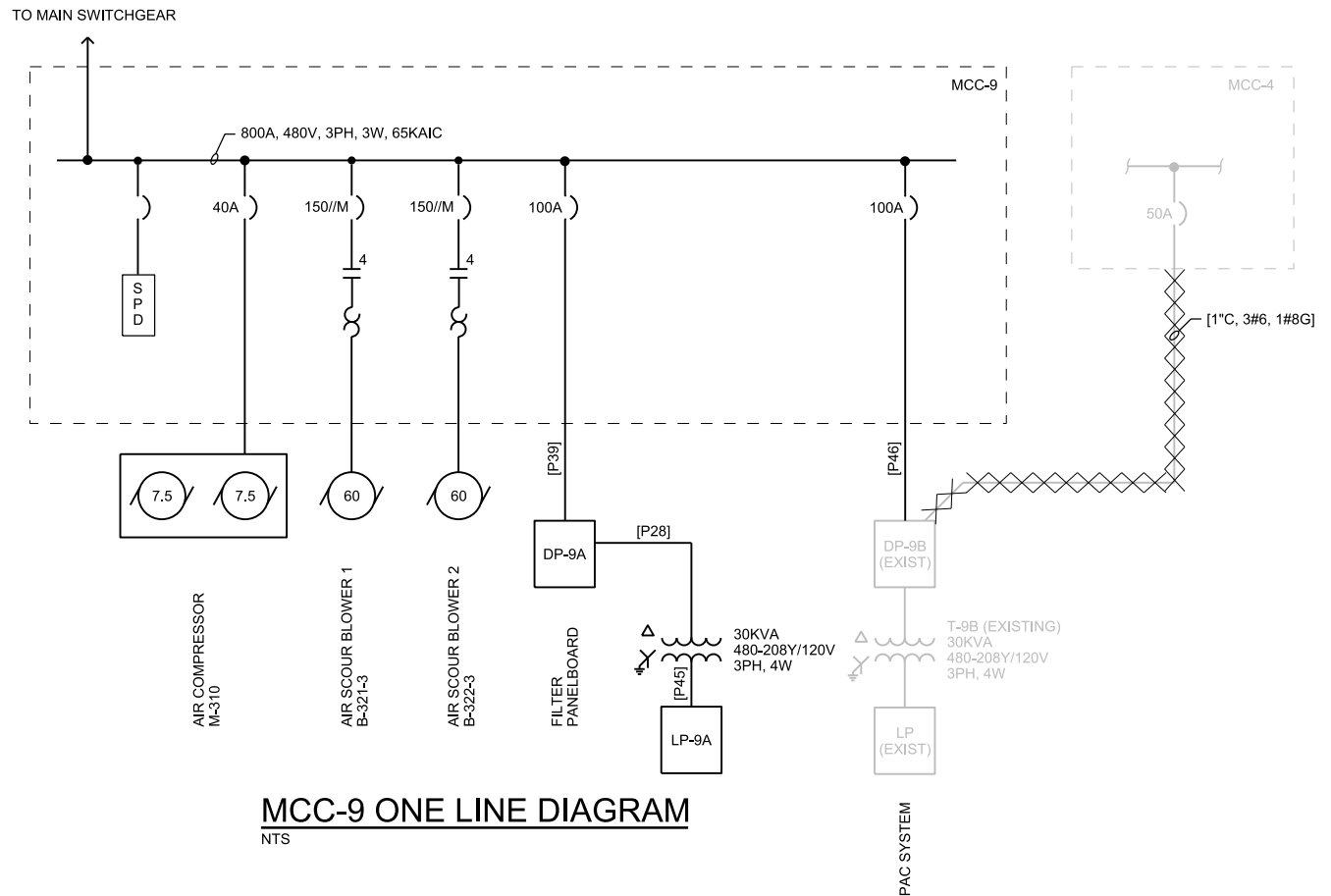
N MEYER G MESSER N MEYER
N MEYER KB HORTON
N MEYER

REUSE OF DOCUMENTS: THIS DOCUMENT, AND THE IDEAS AND DESIGNS INCORPORATED HEREIN, AS AN INSTRUMENT OF PROFESSIONAL SERVICE, IS THE PROPERTY OF CH2M HILL AND IS NOT TO BE USED, IN WHOLE OR IN PART, FOR ANY OTHER PROJECT WITHOUT THE WRITTEN AUTHORIZATION OF CH2M HILL.

© CH2M HILL 2015. ALL RIGHTS RESERVED.



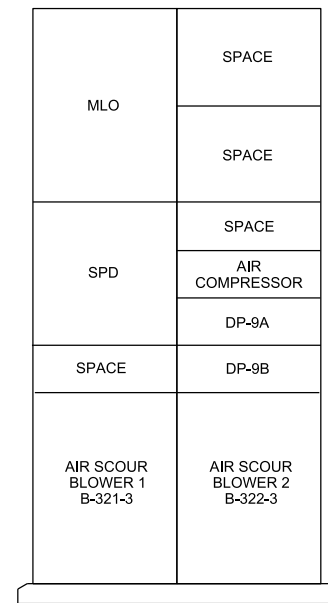
AIR SCOUR BLOWER 1 (B-321-3)
AIR SCOUR BLOWER 2 (B-322-3)
 NTS



MCC-9 ONE LINE DIAGRAM
 NTS

LOAD IN KVA			CIRCUIT DESCRIPTION	BKR A/P	CKT NO.	CKT NO.	BKR A/P	CIRCUIT DESCRIPTION	LOAD IN KVA		
A	B	C							A	B	C
3.6			TRANSFORMER T-9A (LP-9A)	60/3	1	2	20/3	FCV-320 AIR VENT VALVE	0.3		
3.1									3	4	0.3
		3.4	FCV-330	30/3	7	8	30/3	FV-300-1	1.3		0.3
1.3									9	10	1.3
		1.3	SPACE	3P	11	12	30/3	FV-300-2	1.3		1.3
									13	14	1.3
			SPACE	3P	15	16	30/3	FV-300-3	1.3		1.3
									17	18	1.3
			SPACE	3P	19	20	30/3	FV-300-3	1.3		1.3
									21	22	1.3
			SPACE	3P	23	24	30/3	FV-300-3	1.3		1.3
									25	26	1.3
			SPACE	3P	27	28	30/3	FV-300-3	1.3		1.3
									29	30	1.3
			SPACE	3P	31	32	30/3	FV-300-3	1.3		1.3
									33	34	1.3
			SPACE	3P	35	36	30/3	FV-300-3	1.3		1.3
									37	38	1.3
			SPACE	3P	39	40	30/3	FV-300-3	1.3		1.3
									41	42	1.3
4.9	4.4	4.7	TOTAL						4.3	4.3	4.3

LOAD IN KVA			CIRCUIT DESCRIPTION	BKR A/P	CKT NO.	CKT NO.	BKR A/P	CIRCUIT DESCRIPTION	LOAD IN KVA		
A	B	C							A	B	C
0.5			AIT-300-1	20/1	1	2	20/1	FIT-301,-302	0.2		
	0.2		LIT-303,-304	20/1	3	4	20/1	FIT-303,-304		0.2	
		0.2	LIT-305,-306	20/1	5	6	20/1	FIT-305,-306			0.2
0.2			LIT-307,-308	20/1	7	8	20/1	FIT-307,-308	0.2		
		0.2	HT-ALP (FILTER 1/2)	20/1*	9	10	20/1	CP-FILT-MSTR		1.0	
		0.5	HT-ALP (FILTER 3/4)	20/1*	11	12	20/1	CP-FIL-1, CP-FIL-2			1.0
0.5			HT-ALP (FILTER 5/6)	20/1*	13	14	20/1	CP-FIL-3, CP-FIL-4	1.0		
		0.5	HT-ALP (FILTER 7/8)	20/1*	15	16	20/1	CP-FIL-5, CP-FIL-6		1.0	
		0.5	AIR DRYER M-310-7	20/1*	17	18	20/1	CP-FIL-7, CP-FIL-8			1.0
0.5			SPARE	20/1*	19	20	20/1	NC-F-CR	0.5		
			SPARE	20/1*	21	22	20/1	SPARE			
			SPARE	20/1	23	24	20/1	SPARE			
			SPARE	20/1	25	26	20/1	SPARE			
			SPARE	20/1	27	28	20/1	SPARE			
			SPARE	20/1	29	30	20/1	SPARE			
			SPACE	1P	31	32	1P	SPACE			
			SPACE	1P	33	34	1P	SPACE			
			SPACE	1P	35	36	1P	SPACE			
			SPACE	1P	37	38	1P	SPACE			
			SPACE	1P	39	40	1P	SPACE			
			SPACE	1P	41	42	1P	SPACE			
1.7	0.9	1.2	TOTAL						1.9	2.2	2.2



MCC-9 FRONT ELEVATION
 NTS

CH2MHILL®

6600 Peachtree Dunwoody Road
 400 Embassy Court, Suite 600
 Atlanta, GA 30328
 Phone: 770-604-9095

CROSSTOWN WTP IMPROVEMENTS
 FAYETTE COUNTY WATER SYSTEM
 FAYETTE COUNTY, GEORGIA

NO. 1 DATE 06/20/15
 DSGN N MEYER
 DR N MEYER
 CHK G MESSER
 REVISION BY APVD N MEYER
 FILTER CONSOLE COMMUNICATIONS MH NM
 FILTER CONSOLE COMMUNICATIONS MH NM

AS NOTED
 VERIFY SCALE
 BAR IS ONE INCH ON ORIGINAL DRAWING.
 DATE MAY 2015
 PROJ 497074
 DWG 30-E-07
 SHEET 58 of 73